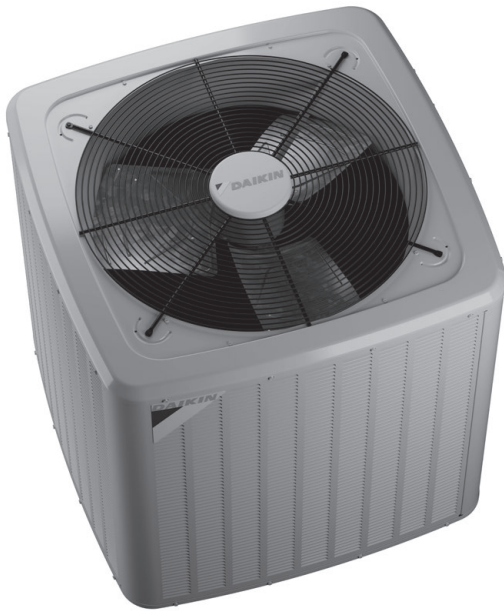


13.4 SEER2
1½ TO 5 TONS

ENERGY-EFFICIENT
SPLIT SYSTEM AIR CONDITIONER



■ Contents

Nomenclature.....	2
Product Specifications.....	3
Expanded Cooling Data.....	4
Performance Data.....	18
AHRI Ratings (see note).....	20
Wiring Diagram.....	21
Dimensions.....	22
Accessories.....	22

■ Standard Features

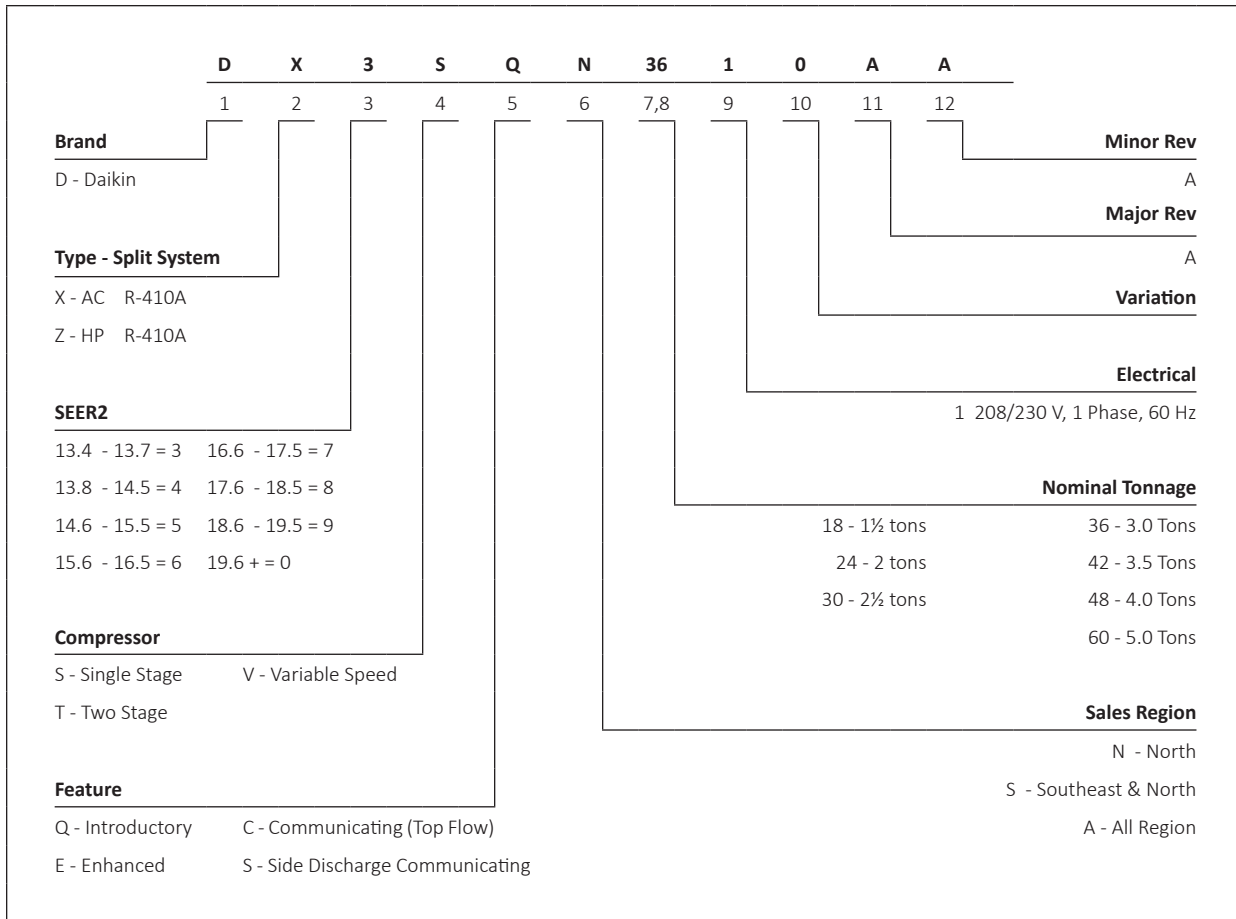
- Energy-efficient compressor
- Copper tube/ enhanced aluminum fin coil- 5mm diameter
- Single-Speed PSC condenser fan motor
- Factory-installed filter drier
- Sweat connection service valves with easy access to gauge ports
- Contactor with lug connection
- AHRI Certified; ETL Listed

■ Cabinet Features

- Removable grille-style top design compliant with UL 60335-2-40
- Venturi for increased velocity of airflow
- Custom Nickel Gray powder-paint finish 500-hour salt-spray tested
- Wire fan discharge grille
- Steel louver coil guard
- Rust-resistant coated screws
- Top and side maintenance access
- Single-panel access to controls with space provided for field-installed accessories



* Complete warranty details available from your local dealer or at www.daikincomfort.com. To receive the 12-Year Parts Limited Warranty, online registration must be completed within 60 days of installation. Additional requirements for annual maintenance are required for the Unit Replacement Limited Warranty. Online registration and some of the additional requirements are not required in California or Québec. The duration of warranty coverages in Texas differs in some cases.



	DX3SQ N1810A*	DX3SQ N2410A*	DX3SQ N3010A*	DX3SQ N3610A*	DX3SQ N4210A*	DX3SQ N4810A*	DX3SQ N6010A*
COOLING CAPACITY							
Nominal Cooling (BTU/h)	18,000	24,000	30,000	36,000	42,000	48,000	60,000
Decibels (dBA)	73.0	73.0	76.0	71.0	70.0	74.0	74.0
COMPRESSOR							
RLA	6.1	8.4	12.1	14.1	17.7	18.5	25.6
LRA	35.1	41.2	55	87.4	110.2	124	150
Stage	Single	Single	Single	Single	Single	Single	Single
Type	Rotary	Rotary	Rotary	Scroll	Scroll	Scroll	Scroll
CONDENSER FAN MOTOR							
Motor Type	PSC	PSC	PSC	PSC	PSC	PSC	PSC
Horsepower (RPM)	1/8	1/8	1/6	1/6	1/6	1/4	1/4
FLA	0.70	0.70	0.95	0.95	0.95	1.30	1.30
REFRIGERATION SYSTEM							
Refrigerant Line Size ¹							
Liquid Line Size ("O.D.)	3/8"	3/8"	3/8"	3/8"	3/8"	3/8"	3/8"
Suction Line Size ("O.D.)	3/4"	3/4"	3/4"	7/8"	1 1/8"	1 1/8"	1 1/8"
Refrigerant Connection Size							
Liquid Valve Size ("O.D.)	3/8"	3/8"	3/8"	3/8"	3/8"	3/8"	3/8"
Suction Valve Size ("O.D.) ^{2,3}	3/4"	3/4"	3/4"	3/4"	7/8"	7/8"	7/8"
Valve Connection Type	Sweat	Sweat	Sweat	Sweat	Sweat	Sweat	Sweat
Refrigerant Charge ⁴	65	71	78	71	115	120	130
ELECTRICAL DATA							
Voltage-Phase	208/230-1	208/230-1	208/230-1	208/230-1	208/230-1	208/230-1	208/230-1
Minimum Circuit Ampacity ⁵	8.3	11.2	16.1	18.6	23.1	24.4	33.3
Max. Overcurrent Protection ⁶	15	15	25	30	40	40	50
Min / Max Volts	197/253	197/253	197/253	197/253	197/253	197/253	197/253
Electrical Conduit Size	1/2" or 3/4"	1/2" or 3/4"	1/2" or 3/4"	1/2" or 3/4"	1/2" or 3/4"	1/2" or 3/4"	1/2" or 3/4"
Equipment Weight (lbs)	117	125	128	153	188	215	227
Ship Weight (lbs)	130	138	143	168	203	235	247

¹ Line sizes denoted for 25' line sets, tested and rated in accordance with ARI Standard 210/240. For other line set lengths or sizes, refer to the Installation Instructions and/or the Long Line Set Applications guide.

² Installer will need to supply 3/4" to 3/8" adapters for suction line connections.

³ Installer will need to supply 7/8" to 1 1/8" adapters for suction line connections.

⁴ Unit is factory charged with refrigerant for 15' of 3/8" liquid line. System charge must be adjusted per the Final Charge Adjustment procedure found in the Installation Instructions.

⁵ Wire size should be determined in accordance with National Electrical Codes; extensive wire runs will require larger wire sizes

⁶ Must use time-delay fuses or HACR-type circuit breakers of the same size as noted.

NOTES

- Always check the S&R plate for electrical data on the unit being installed.

IDB		OUTDOOR AMBIENT TEMPERATURE																								
		65				75				85				95				105				115				
		AIRFLOW	59	63	67	71	59	63	67	71	59	63	67	71	59	63	67	71	59	63	67	71	59	63	67	71
70	520	MBh	17.5	17.8	18.3	-	17.4	17.6	18.1	-	16.9	17.2	17.7	-	16.1	16.4	16.9	-	15.2	15.4	16.0	-	14.3	14.6	15.1	-
		S/T	0.61	0.54	0.41	-	0.61	0.54	0.42	-	0.64	0.57	0.44	-	0.65	0.58	0.46	-	1.00	0.60	0.48	-	1.00	0.65	0.53	-
		ΔT	19	18	14	-	19	17	14	-	20	18	14	-	19	17	14	-	19	17	14	-	20	18	15	-
		kW	1.12	1.12	1.12	-	1.25	1.24	1.24	-	1.38	1.38	1.38	-	1.53	1.53	1.53	-	1.70	1.70	1.70	-	1.89	1.89	1.89	-
		Amps	4.1	4.1	4.1	-	4.7	4.6	4.6	-	5.3	5.3	5.3	-	6.0	6.0	5.9	-	6.7	6.7	6.7	-	7.6	7.6	7.6	-
		Hi PR	235	236	238	-	272	273	275	-	311	312	313	-	352	353	355	-	397	398	400	-	445	446	447	-
	Lo PR	121	122	125	-	128	129	132	-	134	136	139	-	140	141	144	-	145	146	149	-	151	153	156	-	
	600	MBh	17.9	18.1	18.6	-	17.7	18.0	18.5	-	17.3	17.5	18.0	-	16.5	16.7	17.2	-	15.5	15.8	16.3	-	14.7	14.9	15.4	-
		S/T	0.64	0.57	0.45	-	0.65	0.58	0.46	-	0.67	0.60	0.48	-	0.69	0.62	0.50	-	1.00	0.64	0.52	-	1.00	0.69	0.56	-
		ΔT	18	16	13	-	18	16	13	-	18	17	13	-	18	16	13	-	18	16	12	-	19	17	14	-
		kW	1.13	1.13	1.13	-	1.25	1.25	1.25	-	1.39	1.39	1.39	-	1.54	1.54	1.54	-	1.71	1.70	1.70	-	1.90	1.90	1.90	-
		Amps	4.1	4.1	4.1	-	4.7	4.7	4.7	-	5.3	5.3	5.3	-	6.0	6.0	6.0	-	6.8	6.7	6.7	-	7.6	7.6	7.6	-
Hi PR		238	239	240	-	274	275	277	-	313	314	316	-	355	356	357	-	399	400	402	-	447	448	450	-	
Lo PR	123	125	128	-	130	132	135	-	137	138	141	-	142	143	146	-	147	149	152	-	154	155	158	-		
675	MBh	18.3	18.5	19.0	-	18.1	18.4	18.9	-	17.7	17.9	18.4	-	16.9	17.1	17.6	-	15.9	16.2	16.7	-	15.1	15.3	15.8	-	
	S/T	0.65	0.58	0.45	-	0.65	0.58	0.46	-	0.68	0.61	0.48	-	1.00	0.62	0.50	-	1.00	0.64	0.52	-	1.00	0.69	0.57	-	
	ΔT	17	15	12	-	17	15	12	-	17	16	12	-	17	15	12	-	17	15	11	-	18	16	13	-	
	kW	1.13	1.13	1.13	-	1.26	1.26	1.25	-	1.40	1.39	1.39	-	1.54	1.54	1.54	-	1.71	1.71	1.71	-	1.91	1.90	1.90	-	
	Amps	4.1	4.1	4.1	-	4.7	4.7	4.7	-	5.3	5.3	5.3	-	6.0	6.0	6.0	-	6.8	6.8	6.8	-	7.7	7.7	7.7	-	
	Hi PR	240	241	243	-	277	278	279	-	315	316	318	-	357	358	360	-	402	403	404	-	449	450	452	-	
Lo PR	126	127	130	-	133	134	137	-	139	141	144	-	145	146	149	-	150	151	154	-	156	158	161	-		
75	520	MBh	17.5	17.8	18.3	19.1	17.4	17.6	18.1	18.9	16.9	17.2	17.7	18.5	16.1	16.4	16.9	17.7	15.2	15.4	16.0	16.7	14.3	14.6	15.1	15.9
		S/T	0.73	0.66	0.53	0.4	0.73	0.66	0.54	0.4	0.73	0.68	0.56	0.4	1.00	0.70	0.58	0.4	1.00	0.72	0.60	0.5	1.00	0.77	0.65	0.5
		ΔT	24	22	18	14	24	22	18	14	24	22	18	15	24	22	18	14	23	21	18	14	24	23	19	15
		kW	1.12	1.12	1.12	1.1	1.24	1.24	1.24	1.3	1.38	1.38	1.38	1.4	1.53	1.53	1.53	1.5	1.53	1.70	1.70	1.69	1.7	1.89	1.89	1.9
		Amps	4.1	4.1	4.1	4.1	4.6	4.6	4.6	4.7	5.3	5.3	5.3	5.3	6.0	6.0	5.9	6.0	6.0	6.7	6.7	6.7	6.7	7.6	7.6	7.6
		Hi PR	235	236	238	242.2	272	273	275	279.0	311	312	314	317.6	352	353	355	359.1	397	398	400	403.9	445	446	448	451.7
	Lo PR	121	122	125	130.2	128	129	132	137.4	134	136	139	143.8	140	141	144	149.1	145	146	149	154.4	151	153	156	161.0	
	600	MBh	17.9	18.1	18.6	19.4	17.7	18.0	18.5	19.3	17.3	17.5	18.0	18.8	16.5	16.7	17.3	18.0	15.5	15.8	16.3	17.1	14.7	14.9	15.4	16.2
		S/T	0.76	0.69	0.57	0.4	0.77	0.70	0.57	0.4	1.00	0.72	0.60	0.5	1.00	0.74	0.61	0.5	1.00	0.76	0.63	0.5	1.00	1.00	0.68	0.6
		ΔT	22	21	17	13	22	20	17	13	23	21	17	13	22	20	17	13	22	20	17	13	23	21	18	14
		kW	1.13	1.13	1.13	1.13	1.25	1.25	1.25	1.26	1.39	1.39	1.39	1.40	1.54	1.54	1.53	1.54	1.70	1.70	1.70	1.71	1.90	1.90	1.90	1.91
		Amps	4.1	4.1	4.1	4.1	4.7	4.7	4.7	4.7	5.3	5.3	5.3	5.3	6.0	6.0	6.0	6.0	6.8	6.7	6.7	6.8	7.6	7.6	7.6	7.7
Hi PR		238	239	240	244.6	275	276	277	281.4	313	314	316	319.9	355	356	357	361.5	400	401	402	406.2	447	448	450	454.0	
Lo PR	123	125	128	132.6	130	132	135	139.9	137	138	141	146.2	142	143	146	151.5	147	149	152	156.8	154	155	158	163.4		
675	MBh	18.3	18.5	19.0	19.8	18.1	18.4	18.9	19.7	17.7	17.9	18.4	19.2	16.9	17.1	17.7	18.4	15.9	16.2	16.7	17.5	15.1	15.3	15.8	16.6	
	S/T	0.77	0.70	0.57	0.4	0.77	0.70	0.58	0.4	1.00	0.72	0.60	0.5	1.00	0.74	0.62	0.5	1.00	0.76	0.64	0.5	1.00	1.00	0.69	0.6	
	ΔT	21	20	16	12	21	19	16	12	22	20	16	13	21	19	16	12	21	19	16	12	22	20	17	13	
	kW	1.13	1.13	1.13	1.1	1.26	1.26	1.25	1.3	1.39	1.39	1.39	1.4	1.54	1.54	1.54	1.5	1.71	1.71	1.71	1.71	1.90	1.90	1.90	1.9	
	Amps	4.1	4.1	4.1	4.2	4.7	4.7	4.7	4.7	5.3	5.3	5.3	5.4	6.0	6.0	6.0	6.0	6.8	6.8	6.8	6.8	7.7	7.7	7.7	7.7	
	Hi PR	240	241	243	246.9	277	278	280	283.7	316	317	318	322.3	357	358	360	363.8	402	403	404	408.6	450	451	452	456.3	
Lo PR	126	127	130	135.3	133	134	137	142.5	139	141	144	148.8	145	146	149	154.2	150	151	154	159.5	156	158	161	166.0		

IDB: Entering Indoor Dry Bulb Temperature
 High and low pressures are measured at the liquid and suction service valves.
 Shaded area reflects ACCA (TVA) conditions
 kW = Total system power
 Amps = outdoor unit amps (comp. + fan)

EXPANDED COOLING DATA — DX3SQN1810A*/CA*FA2422*6A* (CONT.)

IDB		OUTDOOR AMBIENT TEMPERATURE																							
		65				75				85				95				105				115			
		AIRFLOW	59	63	67	71	59	63	67	71	59	63	67	71	59	63	67	71	59	63	67	71	59	63	67
80	MBh	17.6	17.9	18.4	19.2	17.5	17.7	18.2	19.0	17.0	17.3	17.8	18.6	16.2	16.5	17.0	17.8	15.3	15.5	16.1	16.8	14.4	14.7	15.2	16.0
	S/T	0.84	0.77	0.65	0.5	1.00	0.78	0.65	0.5	1.00	0.80	0.67	0.5	1.00	0.82	0.69	0.6	1.00	1.00	0.71	0.6	1.00	1.00	0.76	0.6
	ΔT	28	26	22	19	28	26	22	19	28	26	23	19	28	26	22	19	27	26	22	18	29	27	23	20
	kW	1.12	1.12	1.12	1.1	1.25	1.24	1.24	1.3	1.38	1.38	1.38	1.4	1.53	1.53	1.53	1.5	1.70	1.70	1.70	1.7	1.89	1.89	1.89	1.9
	Amps	4.1	4.1	4.1	4.1	4.7	4.6	4.6	4.7	5.3	5.3	5.3	5.3	5.3	6.0	6.0	6.0	6.7	6.7	6.7	6.8	7.6	7.6	7.6	7.6
	Hi PR	236	237	239	242.6	273	274	275	279.4	311	312	314	318.0	353	354	355	359.5	398	399	400	404.3	445	446	448	452.1
	Lo PR	121	123	126	130.7	128	130	133	138.0	135	136	139	144.3	140	142	145	149.7	145	147	150	154.9	152	153	156	161.5
	MBh	18.0	18.2	18.7	19.5	17.8	18.1	18.6	19.4	17.4	17.6	18.1	18.9	16.6	16.8	17.3	18.1	15.6	15.9	16.4	17.2	14.8	15.0	15.5	16.3
	S/T	1.00	0.81	0.68	0.6	1.00	0.81	0.69	0.6	1.00	0.83	0.71	0.6	1.00	0.85	0.73	0.6	1.00	1.00	0.75	0.6	1.00	1.00	0.79	0.7
	ΔT	27	25	21	17	27	25	21	17	27	25	21	18	27	25	21	17	26	24	21	17	27	26	22	18
kW	1.13	1.13	1.13	1.14	1.25	1.25	1.25	1.26	1.39	1.39	1.39	1.40	1.54	1.54	1.54	1.54	1.70	1.70	1.70	1.71	1.90	1.90	1.90	1.91	
Amps	4.1	4.1	4.1	4.1	4.7	4.7	4.7	4.7	5.3	5.3	5.3	5.3	5.3	6.0	6.0	6.0	6.8	6.7	6.7	6.8	7.6	7.6	7.6	7.7	
Hi PR	238	239	241	245.0	275	276	278	281.8	314	315	316	320.4	355	356	358	361.9	400	401	403	406.7	448	449	450	454.5	
Lo PR	124	125	128	133.2	131	132	135	140.4	137	139	142	146.7	143	144	147	152.1	148	149	152	157.3	154	156	159	163.9	
MBh	18.4	18.6	19.1	19.9	18.2	18.5	19.0	19.8	17.8	18.0	18.5	19.3	17.0	17.2	17.7	18.5	16.0	16.3	16.8	17.6	15.2	15.4	15.9	16.7	
S/T	1.00	0.81	0.69	0.6	1.00	0.82	0.69	0.6	1.00	0.84	0.72	0.6	1.00	1.00	0.73	0.6	1.00	1.00	0.75	0.6	1.00	1.00	0.80	0.7	
ΔT	26	24	20	17	26	24	20	16	26	24	20	17	26	24	20	16	25	23	20	16	27	25	21	17	
kW	1.13	1.13	1.13	1.1	1.26	1.26	1.25	1.3	1.39	1.39	1.39	1.4	1.54	1.54	1.54	1.6	1.71	1.71	1.71	1.71	1.91	1.90	1.90	1.9	
Amps	4.1	4.1	4.1	4.2	4.7	4.7	4.7	4.7	5.3	5.3	5.3	5.4	6.0	6.0	6.0	6.0	6.8	6.8	6.8	6.8	7.7	7.7	7.7	7.7	
Hi PR	241	242	243	247.3	277	278	280	284.1	316	317	319	322.7	357	359	360	364.2	402	403	405	409.0	450	451	453	456.8	
Lo PR	126	128	131	135.8	133	135	138	143.0	140	141	144	149.4	145	147	150	154.7	150	152	155	160.0	157	158	162	166.6	
85	MBh	17.9	18.2	18.7	19.5	17.8	18.0	18.5	19.3	17.3	17.6	18.1	18.9	16.5	16.8	17.3	18.1	15.6	15.8	16.3	17.1	14.7	15.0	15.5	16.3
	S/T	1.00	0.86	0.74	0.6	1.00	0.87	0.74	0.6	1.00	1.00	0.77	0.6	1.00	1.00	0.79	0.7	1.00	1.00	0.81	0.7	1.00	1.00	0.85	0.7
	ΔT	32	30	26	22	31	30	26	22	32	30	26	23	31	30	26	22	31	29	26	22	32	30	27	23
	kW	1.12	1.12	1.12	1.1	1.25	1.25	1.24	1.3	1.39	1.38	1.38	1.4	1.53	1.53	1.53	1.5	1.70	1.70	1.70	1.7	1.90	1.89	1.89	1.9
	Amps	4.1	4.1	4.1	4.1	4.7	4.7	4.6	4.7	5.3	5.3	5.3	5.3	6.0	6.0	6.0	6.0	6.7	6.7	6.7	6.8	7.6	7.6	7.6	7.7
	Hi PR	237	238	240	243.7	274	275	276	280.5	312	313	315	319.1	354	355	357	360.6	399	400	401	405.4	446	447	449	453.2
	Lo PR	123	124	127	132.5	130	132	135	139.7	137	138	141	146.1	142	143	146	151.4	147	149	152	156.7	154	155	158	163.3
	MBh	18.3	18.5	19.0	19.8	18.1	18.3	18.9	19.7	17.7	17.9	18.4	19.2	16.9	17.1	17.6	18.4	15.9	16.2	16.7	17.5	15.1	15.3	15.8	16.6
	S/T	1.00	0.90	0.77	0.6	1.00	0.90	0.78	0.6	1.00	1.00	0.80	0.7	1.00	1.00	0.82	0.7	1.00	1.00	0.84	0.7	1.00	1.00	1.00	0.8
	ΔT	30	28	25	21	30	28	25	21	31	29	25	21	30	28	25	21	30	28	25	21	31	29	26	22
kW	1.13	1.13	1.13	1.14	1.25	1.25	1.25	1.26	1.39	1.39	1.39	1.40	1.54	1.54	1.54	1.55	1.71	1.71	1.71	1.71	1.90	1.90	1.90	1.91	
Amps	4.1	4.1	4.1	4.2	4.7	4.7	4.7	4.7	5.3	5.3	5.3	5.4	6.0	6.0	6.0	6.0	6.8	6.8	6.8	6.8	7.7	7.7	7.7	7.7	
Hi PR	239	240	242	246.1	276	277	279	282.9	315	316	317	321.5	356	357	359	363.0	401	402	404	407.8	449	450	451	455.6	
Lo PR	125	127	130	134.9	133	134	137	142.2	139	140	143	148.5	144	146	149	153.9	150	151	154	159.1	156	158	161	165.7	
MBh	18.7	18.9	19.4	20.2	18.5	18.7	19.3	20.1	18.1	18.3	18.8	19.6	17.3	17.5	18.0	18.8	16.3	16.6	17.1	17.9	15.5	15.7	16.2	17.0	
S/T	1.00	0.90	0.78	0.6	1.00	1.00	0.78	0.7	1.00	1.00	0.81	0.7	1.00	1.00	0.83	0.7	1.00	1.00	0.85	0.7	1.00	1.00	1.00	0.8	
ΔT	29	27	24	20	29	27	24	20	30	28	24	20	29	27	24	20	29	27	24	20	30	28	25	21	
kW	1.14	1.14	1.13	1.1	1.26	1.26	1.26	1.3	1.40	1.40	1.39	1.4	1.55	1.55	1.54	1.6	1.71	1.71	1.71	1.71	1.91	1.91	1.90	1.9	
Amps	4.2	4.1	4.1	4.2	4.7	4.7	4.7	4.7	5.3	5.3	5.3	5.4	6.0	6.0	6.0	6.1	6.8	6.8	6.8	6.8	7.7	7.7	7.7	7.7	
Hi PR	242	243	244	248.4	278	280	281	285.2	317	318	320	323.8	359	360	361	365.3	403	404	406	410.1	451	452	454	457.9	
Lo PR	128	129	133	137.6	135	137	140	144.8	142	143	146	151.2	147	148	151	156.5	152	154	157	161.8	159	160	163	168.3	

IDB: Entering Indoor Dry Bulb Temperature
 High and low pressures are measured at the liquid and suction service valves.
 Shaded area reflects AHRI conditions
 kW = Total system power
 Amps = outdoor unit amps (comp.+fan)

IDB		OUTDOOR AMBIENT TEMPERATURE																																			
		65						75						85						95						105						115					
		AIRFLOW	59	63	67	71	59	63	67	71	59	63	67	71	59	63	67	71	59	63	67	71	59	63	67	71	59	63	67	71							
70	MBh	23.0	23.3	24.0	-	22.8	23.1	23.8	-	22.2	22.5	23.2	-	21.2	21.5	22.2	-	19.9	20.2	20.9	-	18.7	19.1	19.8	-												
	S/T	0.56	0.49	0.36	-	0.56	0.49	0.37	-	0.59	0.52	0.39	-	0.61	0.54	0.41	-	1.00	0.56	0.43	-	1.00	0.60	0.48	-												
	ΔT	19	17	14	-	19	17	14	-	19	18	14	-	19	17	14	-	19	17	14	-	20	18	15	-												
	kW	1.49	1.49	1.49	-	1.65	1.65	1.65	-	1.83	1.83	1.83	-	2.03	2.03	2.02	-	2.25	2.25	2.24	-	2.50	2.50	2.50	-												
	Amps	5.1	5.1	5.1	-	5.9	5.9	5.9	-	6.7	6.7	6.7	-	7.6	7.6	7.6	-	8.6	8.6	8.6	-	9.8	9.8	9.8	-												
	Hi PR	255	256	258	-	295	296	298	-	337	339	340	-	383	384	386	-	432	433	435	-	484	485	487	-												
	Lo PR	123	125	128	-	131	132	135	-	137	139	142	-	143	144	147	-	148	150	153	-	155	157	160	-												
	MBh	23.3	23.6	24.3	-	23.1	23.4	24.1	-	22.5	22.8	23.5	-	21.5	21.8	22.5	-	20.2	20.5	21.2	-	19.0	19.4	20.1	-												
	S/T	0.61	0.54	0.42	-	0.62	0.55	0.42	-	0.64	0.57	0.45	-	1.00	0.59	0.47	-	1.00	0.61	0.49	-	1.00	0.66	0.53	-												
	ΔT	18	16	13	-	18	16	13	-	18	17	13	-	18	16	13	-	18	16	13	-	19	17	14	-												
	kW	1.50	1.50	1.50	-	1.66	1.66	1.66	-	1.84	1.84	1.84	-	2.04	2.04	2.03	-	2.25	2.25	2.25	-	2.51	2.51	2.51	-												
	Amps	5.2	5.2	5.2	-	5.9	5.9	5.9	-	6.8	6.7	6.7	-	7.6	7.6	7.6	-	8.6	8.6	8.6	-	9.8	9.8	9.8	-												
Hi PR	257	258	260	-	297	299	300	-	340	341	343	-	385	386	388	-	434	435	437	-	486	487	489	-													
Lo PR	125	127	130	-	133	134	137	-	139	141	144	-	145	146	149	-	150	152	155	-	157	158	162	-													
MBh	23.7	24.0	24.7	-	23.5	23.8	24.5	-	22.9	23.2	23.9	-	21.8	22.1	22.8	-	20.6	20.9	21.6	-	19.4	19.7	20.4	-													
S/T	0.65	0.58	0.45	-	0.65	0.58	0.46	-	0.67	0.60	0.48	-	1.00	0.62	0.50	-	1.00	0.64	0.52	-	1.00	0.69	0.56	-													
ΔT	17	15	12	-	17	15	12	-	17	16	12	-	17	15	12	-	17	15	12	-	18	16	13	-													
kW	1.51	1.51	1.50	-	1.67	1.67	1.66	-	1.85	1.85	1.84	-	2.04	2.04	2.04	-	2.26	2.26	2.26	-	2.52	2.52	2.51	-													
Amps	5.2	5.2	5.2	-	6.0	6.0	5.9	-	6.8	6.8	6.8	-	7.7	7.7	7.7	-	8.7	8.7	8.7	-	9.8	9.8	9.8	-													
Hi PR	259	260	262	-	300	301	302	-	342	343	345	-	387	388	390	-	436	437	439	-	488	489	491	-													
Lo PR	127	129	132	-	135	136	139	-	141	143	146	-	147	148	151	-	152	154	157	-	159	160	164	-													
75	MBh	23.0	23.3	24.0	25.1	22.8	23.1	23.8	24.9	22.2	22.5	23.2	24.3	21.2	21.5	22.2	23.2	19.9	20.2	20.9	22.0	18.8	19.1	19.8	20.8												
	S/T	0.68	0.61	0.48	0.4	0.68	0.61	0.49	0.4	1.00	0.64	0.51	0.4	1.00	0.65	0.53	0.4	1.00	0.67	0.55	0.4	1.00	1.00	0.60	0.5												
	ΔT	23	21	18	15	23	21	18	15	23	22	18	15	23	21	18	15	23	21	18	14	24	22	19	15												
	kW	1.49	1.49	1.49	1.5	1.65	1.65	1.65	1.7	1.83	1.83	1.83	1.8	2.03	2.03	2.02	2.0	2.25	2.24	2.24	2.3	2.50	2.50	2.50	2.5												
	Amps	5.1	5.1	5.1	5.2	5.9	5.9	5.9	5.9	6.7	6.7	6.7	6.7	7.6	7.6	7.6	7.6	8.6	8.6	8.6	8.6	9.8	9.8	9.8	9.8												
	Hi PR	255	256	258	262.6	296	297	298	302.9	338	339	341	345.0	383	384	386	390.4	432	433	435	439.4	484	485	487	491.6												
	Lo PR	123	125	128	133.2	131	132	135	140.6	137	139	142	147.2	143	144	148	152.8	148	150	153	158.2	155	157	160	165.0												
	MBh	23.3	23.6	24.3	25.4	23.1	23.4	24.1	25.2	22.5	22.8	23.5	24.6	21.5	21.8	22.5	23.5	20.2	20.5	21.2	22.3	19.1	19.4	20.1	21.1												
	S/T	0.73	0.66	0.54	0.4	0.74	0.67	0.54	0.4	1.00	0.69	0.57	0.4	1.00	0.71	0.58	0.5	1.00	0.73	0.60	0.5	1.00	1.00	0.65	0.5												
	ΔT	22	20	17	14	22	20	17	13	22	20	17	14	22	20	17	13	22	20	17	13	23	21	18	14												
	kW	1.50	1.50	1.49	1.51	1.66	1.66	1.66	1.67	1.84	1.84	1.84	1.85	2.04	2.03	2.03	2.04	2.25	2.25	2.25	2.26	2.51	2.51	2.51	2.52												
	Amps	5.2	5.2	5.2	5.2	5.9	5.9	5.9	6.0	6.7	6.7	6.7	6.8	7.6	7.6	7.6	7.7	8.6	8.6	8.6	8.7	9.8	9.8	9.8	9.8												
Hi PR	257	259	260	264.8	298	299	301	305.0	340	341	343	347.2	385	386	388	392.6	434	435	437	441.6	486	488	489	493.8													
Lo PR	125	127	130	135.0	133	134	137	142.5	139	141	144	149.0	145	146	149	154.6	150	152	155	160.0	157	158	162	166.8													
MBh	23.7	24.0	24.7	25.7	23.5	23.8	24.5	25.5	22.9	23.2	23.9	24.9	21.8	22.2	22.8	23.9	20.6	20.9	21.6	22.6	19.4	19.7	20.4	21.5													
S/T	0.76	0.69	0.57	0.4	1.00	0.70	0.57	0.4	1.00	0.72	0.60	0.5	1.00	0.74	0.62	0.5	1.00	0.76	0.64	0.5	1.00	1.00	0.68	0.6													
ΔT	21	19	16	13	21	19	16	13	21	20	16	13	21	19	16	13	21	19	16	12	22	20	17	13													
kW	1.51	1.50	1.50	1.5	1.67	1.67	1.66	1.7	1.85	1.85	1.84	1.9	2.04	2.04	2.04	2.1	2.26	2.26	2.26	2.3	2.52	2.52	2.51	2.5													
Amps	5.2	5.2	5.2	5.3	6.0	5.9	5.9	6.0	6.8	6.8	6.8	6.8	7.7	7.7	7.7	7.7	8.7	8.7	8.7	8.7	9.8	9.8	9.8	9.9													
Hi PR	260	261	262	266.9	300	301	303	307.1	342	343	345	349.3	387	388	390	394.7	436	437	439	443.7	489	490	491	495.9													
Lo PR	127	129	132	137.0	135	136	139	144.5	141	143	146	151.0	147	148	151	156.6	152	154	157	162.0	159	160	164	168.9													

IDB: Entering Indoor Dry Bulb Temperature
 High and low pressures are measured at the liquid and suction service valves.
 Shaded area reflects ACCA (TVA) conditions
 kW = Total system power
 Amps = outdoor unit amps (comp. +fan)

EXPANDED COOLING DATA — DX3SQN2410A*/CA*TA2422*4A* (CONT.)

IDB		OUTDOOR AMBIENT TEMPERATURE																							
		65				75				85				95				105				115			
		AIRFLOW	59	63	67	71	59	63	67	71	59	63	67	71	59	63	67	71	59	63	67	71	59	63	67
80	M/Bh	23.1	23.5	24.1	25.0	22.9	23.2	23.9	24.4	22.3	22.6	23.3	24.4	21.3	21.6	22.3	23.3	20.0	20.3	21.0	22.1	18.9	19.2	19.9	20.9
	S/T	1.00	0.72	0.60	0.5	1.00	0.78	0.66	0.5	1.00	0.75	0.63	0.5	1.00	0.77	0.64	0.5	1.00	1.00	0.67	0.5	1.00	1.00	0.71	0.6
	ΔT	27	25	22	19	27	25	22	19	27	25	22	19	27	25	22	18	27	25	22	18	28	26	23	19
	kW	1.49	1.49	1.49	1.5	1.65	1.65	1.65	1.7	1.83	1.83	1.83	1.8	2.03	2.03	2.02	2.0	2.25	2.25	2.24	2.3	2.50	2.50	2.50	2.5
	Amps	5.1	5.1	5.1	5.2	5.9	5.9	5.9	5.9	6.7	6.7	6.7	6.7	7.6	7.6	7.6	7.6	8.6	8.6	8.6	8.6	9.8	9.8	9.8	9.8
	Hi PR	256	257	259	263.1	296	297	299	303.3	338	339	341	345.5	384	385	386	390.9	433	434	435	439.9	485	486	488	492.1
	Lo PR	124	125	128	133.7	131	133	136	141.2	138	139	143	147.8	143	145	148	153.3	149	150	154	158.8	156	157	160	165.6
	M/Bh	23.4	23.8	24.4	25.5	23.2	23.5	24.2	25.3	22.6	22.9	23.6	24.7	21.6	21.9	22.6	23.6	20.3	20.7	21.0	22.4	19.2	19.5	20.2	21.2
	S/T	1.00	0.78	0.65	0.5	1.00	0.78	0.66	0.5	1.00	0.81	0.68	0.6	1.00	1.00	0.70	0.6	1.00	1.00	0.72	0.6	1.00	1.00	0.77	0.6
	ΔT	26	24	21	17	26	24	21	17	26	24	21	18	26	24	21	17	26	24	21	17	27	25	22	18
	kW	1.50	1.50	1.50	1.51	1.66	1.66	1.66	1.67	1.84	1.84	1.84	1.85	2.04	2.04	2.04	2.03	2.25	2.25	2.25	2.26	2.51	2.51	2.51	2.52
	Amps	5.2	5.2	5.2	5.2	5.9	5.9	5.9	6.0	6.7	6.7	6.7	6.8	7.6	7.6	7.6	7.7	8.6	8.6	8.6	8.7	9.8	9.8	9.8	9.9
Hi PR	258	259	261	265.3	298	299	301	305.5	340	341	343	347.7	386	387	389	393.1	435	436	438	442.0	487	488	490	494.3	
Lo PR	126	127	130	135.5	133	135	138	143.0	140	141	144	149.6	145	147	150	155.1	151	152	155	160.6	157	159	162	167.4	
M/Bh	23.8	24.1	24.8	25.9	23.6	23.9	24.6	25.6	23.0	23.3	24.0	25.0	22.0	22.3	23.0	24.0	20.7	21.0	21.7	22.7	19.5	19.9	20.5	21.6	
S/T	1.00	0.81	0.68	0.6	1.00	0.82	0.69	0.6	1.00	0.84	0.71	0.6	1.00	1.00	0.73	0.6	1.00	1.00	0.75	0.6	1.00	1.00	0.80	0.7	
ΔT	25	23	20	17	25	23	20	16	25	24	20	17	25	23	20	16	25	23	20	16	26	24	21	17	
kW	1.51	1.50	1.50	1.5	1.67	1.67	1.66	1.7	1.85	1.85	1.84	1.9	2.04	2.04	2.04	2.1	2.26	2.26	2.26	2.3	2.52	2.52	2.51	2.5	
Amps	5.2	5.2	5.2	5.3	6.0	6.0	5.9	6.0	6.8	6.8	6.8	6.8	7.7	7.7	7.7	7.7	8.7	8.7	8.7	8.7	9.8	9.8	9.8	9.9	
Hi PR	260	261	263	267.4	300	301	303	307.6	342	344	345	349.8	388	389	391	395.2	437	438	440	444.1	489	490	492	496.4	
Lo PR	128	129	132	137.5	135	137	140	145.0	142	143	146	151.6	147	149	152	157.1	153	154	157	162.6	159	161	164	169.4	

IDB		OUTDOOR AMBIENT TEMPERATURE																							
		65				75				85				95				105				115			
		AIRFLOW	59	63	67	71	59	63	67	71	59	63	67	71	59	63	67	71	59	63	67	71	59	63	67
85	M/Bh	23.5	23.8	24.5	25.6	23.3	23.6	24.3	25.4	22.7	23.0	23.7	24.8	21.7	22.0	22.7	23.7	20.4	20.7	21.4	22.5	19.3	19.6	20.3	21.3
	S/T	1.00	0.82	0.69	0.6	1.00	0.82	0.70	0.6	1.00	0.84	0.72	0.6	1.00	1.00	0.74	0.6	1.00	1.00	0.76	0.6	1.00	1.00	0.77	0.6
	ΔT	31	29	25	22	30	29	25	22	31	29	26	22	30	29	25	22	30	28	25	22	31	30	26	23
	kW	1.49	1.49	1.49	1.5	1.66	1.65	1.65	1.7	1.84	1.83	1.83	1.8	2.03	2.03	2.03	2.0	2.25	2.25	2.25	2.3	2.51	2.50	2.50	2.5
	Amps	5.2	5.2	5.1	5.2	5.9	5.9	5.9	5.9	6.7	6.7	6.7	6.8	7.6	7.6	7.6	7.7	8.6	8.6	8.6	8.7	9.8	9.8	9.8	9.8
	Hi PR	257	258	260	264.3	297	298	300	304.5	339	340	342	346.7	385	386	388	392.1	434	435	437	441.1	486	487	489	493.3
	Lo PR	126	127	130	135.5	133	135	138	143.0	140	141	144	149.6	145	147	150	155.2	151	152	155	160.6	158	159	162	167.4
	M/Bh	23.8	24.1	24.8	25.9	23.6	23.9	24.6	25.7	23.0	23.3	24.0	25.1	22.0	22.3	23.0	24.0	20.7	21.0	21.7	22.8	19.6	19.9	20.6	21.6
	S/T	1.00	0.87	0.75	0.6	1.00	1.00	0.75	0.6	1.00	1.00	0.78	0.6	1.00	1.00	0.79	0.7	1.00	1.00	0.81	0.7	1.00	1.00	0.77	0.6
	ΔT	29	28	24	21	29	28	24	21	29	28	25	21	29	28	24	21	29	27	24	21	30	29	25	22
	kW	1.50	1.50	1.50	1.51	1.66	1.66	1.66	1.67	1.84	1.84	1.84	1.85	2.04	2.04	2.04	2.05	2.26	2.26	2.25	2.27	2.51	2.51	2.51	2.52
	Amps	5.2	5.2	5.2	5.2	5.9	5.9	5.9	6.0	6.8	6.8	6.7	6.8	7.7	7.7	7.6	7.7	8.7	8.7	8.6	8.7	9.8	9.8	9.8	9.9
Hi PR	259	260	262	266.5	299	300	302	306.7	342	343	344	348.9	387	388	390	394.3	436	437	439	443.2	488	489	491	495.5	
Lo PR	127	129	132	137.4	135	136	140	144.9	142	143	146	151.4	147	149	152	157.0	153	154	157	162.4	159	161	164	169.2	
M/Bh	24.2	24.5	25.2	26.2	24.0	24.3	25.0	26.0	23.4	23.7	24.4	25.4	22.3	22.7	23.4	24.4	21.1	21.4	22.1	23.1	19.9	20.2	20.9	22.0	
S/T	1.00	0.90	0.78	0.6	1.00	1.00	0.78	0.7	1.00	1.00	0.81	0.7	1.00	1.00	0.82	0.7	1.00	1.00	0.80	0.7	1.00	1.00	0.77	0.6	
ΔT	29	27	23	20	29	27	23	20	29	27	24	20	29	27	23	20	28	26	23	20	29	28	24	21	
kW	1.51	1.51	1.51	1.5	1.67	1.67	1.67	1.7	1.85	1.85	1.85	1.9	2.05	2.05	2.04	2.1	2.26	2.26	2.26	2.3	2.52	2.52	2.52	2.5	
Amps	5.2	5.2	5.2	5.3	6.0	6.0	6.0	6.0	6.8	6.8	6.8	6.8	7.7	7.7	7.7	7.7	8.7	8.7	8.7	8.7	9.9	9.9	9.8	9.5	
Hi PR	261	262	264	268.6	301	303	304	308.8	344	345	347	351.0	389	390	392	396.4	438	439	441	445.3	490	491	493	497.6	
Lo PR	129	131	134	139.4	137	138	142	146.9	144	145	148	153.4	149	151	154	159.0	155	156	159	164.4	161	163	166	171.2	

IDB: Entering Indoor Dry Bulb Temperature
 High and low pressures are measured at the liquid and suction service valves.
 Shaded area reflects AHRI conditions
 kW = Total system power
 Amps = outdoor unit amps (comp.+fan)

IDB		OUTDOOR AMBIENT TEMPERATURE																																			
		65						75						85						95						105						115					
		AIRFLOW			ENTERING			INDOOR WET BULB TEMPERATURE			ENTERING			INDOOR WET BULB TEMPERATURE			ENTERING			INDOOR WET BULB TEMPERATURE			ENTERING			INDOOR WET BULB TEMPERATURE			ENTERING			INDOOR WET BULB TEMPERATURE					
70	875	MBh	28.7	29.1	29.9	-	28.4	28.8	29.7	-	27.7	28.1	28.9	-	26.4	26.8	27.6	-	24.8	25.2	26.0	-	23.3	23.7	24.6	-											
		S/T	0.54	0.46	0.33	-	0.54	0.47	0.33	-	0.57	0.49	0.36	-	0.58	0.51	0.38	-	1.00	0.53	0.40	-	1.00	0.58	0.45	-											
		ΔT	20	19	15	-	20	18	15	-	21	19	15	-	20	18	15	-	20	18	15	-	21	19	16	-											
		kW	1.89	1.88	1.88	-	2.10	2.09	2.09	-	2.33	2.33	2.33	-	2.59	2.59	2.58	-	2.87	2.87	2.87	-	3.21	3.20	3.20	-											
		Amps	6.6	6.6	6.6	-	7.6	7.6	7.5	-	8.6	8.6	8.6	-	9.8	9.8	9.8	-	11.1	11.1	11.1	-	12.6	12.6	12.6	-											
		Hi PR	253	255	256	-	294	295	297	-	336	337	339	-	381	382	384	-	430	431	433	-	482	484	485	-											
	Lo PR	122	124	127	-	130	131	134	-	136	138	141	-	142	143	146	-	147	149	152	-	154	155	159	-												
	1000	MBh	29.0	29.4	30.2	-	28.7	29.1	30.0	-	28.0	28.4	29.2	-	26.7	27.1	27.9	-	25.1	25.5	26.4	-	23.6	24.0	24.9	-											
		S/T	0.61	0.53	0.40	-	0.61	0.54	0.41	-	0.64	0.56	0.43	-	1.00	0.58	0.45	-	1.00	0.60	0.47	-	1.00	0.66	0.52	-											
		ΔT	19	17	14	-	19	17	14	-	19	18	14	-	19	17	14	-	19	17	14	-	20	18	15	-											
		kW	1.90	1.90	1.89	-	2.11	2.11	2.10	-	2.34	2.34	2.34	-	2.60	2.60	2.59	-	2.88	2.88	2.88	-	3.22	3.22	3.21	-											
		Amps	6.7	6.7	6.6	-	7.6	7.6	7.6	-	8.7	8.7	8.7	-	9.9	9.9	9.8	-	11.2	11.2	11.1	-	12.7	12.7	12.7	-											
Hi PR		256	257	258	-	296	297	299	-	338	339	341	-	383	385	386	-	432	433	435	-	485	486	487	-												
Lo PR	124	125	128	-	131	133	136	-	138	139	142	-	143	145	148	-	149	150	153	-	156	157	160	-													
1105	MBh	29.3	29.7	30.5	-	29.0	29.4	30.3	-	28.3	28.7	29.5	-	27.0	27.4	28.2	-	25.4	25.8	26.6	-	23.9	24.3	25.2	-												
	S/T	0.65	0.58	0.44	-	0.66	0.58	0.45	-	0.68	0.61	0.47	-	1.00	0.63	0.49	-	1.00	0.65	0.51	-	1.00	0.70	0.56	-												
	ΔT	18	17	13	-	18	17	13	-	19	17	13	-	18	16	13	-	18	16	13	-	19	17	14	-												
	kW	1.91	1.90	1.90	-	2.12	2.11	2.11	-	2.35	2.35	2.35	-	2.61	2.60	2.60	-	2.89	2.89	2.89	-	3.23	3.22	3.22	-												
	Amps	6.7	6.7	6.7	-	7.7	7.7	7.6	-	8.7	8.7	8.7	-	9.9	9.9	9.9	-	11.2	11.2	11.2	-	12.7	12.7	12.7	-												
	Hi PR	257	258	260	-	297	299	300	-	340	341	343	-	385	386	388	-	434	435	437	-	486	487	489	-												
Lo PR	125	127	130	-	133	134	137	-	139	141	144	-	145	146	149	-	150	152	155	-	157	158	162	-													
75	875	MBh	28.7	29.1	30.0	31.3	28.4	28.8	29.7	31.0	27.7	28.1	28.9	30.3	26.4	26.8	27.7	29.0	24.8	25.2	26.1	27.4	23.3	23.8	24.6	25.9											
		S/T	0.66	0.59	0.45	0.3	0.67	0.59	0.46	0.3	1.00	0.62	0.49	0.3	1.00	0.64	0.50	0.4	1.00	0.66	0.53	0.4	1.00	1.00	0.58	0.4											
		ΔT	24	22	19	16	24	22	19	16	24	23	19	16	24	22	19	16	24	24	22	19	25	23	20	16											
		kW	1.88	1.88	1.88	1.9	2.10	2.09	2.09	2.1	2.33	2.33	2.33	2.3	2.59	2.58	2.58	2.6	2.87	2.87	2.86	2.9	3.20	3.20	3.20	3.2											
		Amps	6.6	6.6	6.6	6.7	7.6	7.6	7.5	7.6	8.6	8.6	8.6	8.7	9.8	9.8	9.8	9.9	11.1	11.1	11.1	11.2	12.6	12.6	12.6	12.7											
		Hi PR	254	255	257	261.1	294	295	297	301.3	336	337	339	343.5	382	383	384	388.9	430	432	433	437.8	483	484	486	490.1											
	Lo PR	122	124	127	132.0	130	131	134	139.5	136	138	141	146.1	142	143	146	151.6	147	149	152	157.1	154	155	159	163.9												
	1000	MBh	29.0	29.4	30.3	31.6	28.7	29.1	30.0	31.3	28.0	28.4	29.3	30.6	26.7	27.1	28.0	29.3	27.0	25.1	25.5	26.4	27.7	23.6	24.1	24.9	26.2										
		S/T	0.73	0.66	0.53	0.4	0.74	0.67	0.53	0.4	1.00	0.69	0.56	0.4	1.00	0.71	0.58	0.4	1.00	0.73	0.60	0.5	1.00	1.00	0.65	0.5											
		ΔT	23	21	18	14	23	21	18	14	23	22	18	15	23	21	18	14	23	23	21	18	24	22	19	15											
		kW	1.90	1.89	1.89	1.91	2.11	2.10	2.10	2.12	2.34	2.34	2.34	2.35	2.60	2.60	2.59	2.61	2.88	2.88	2.88	2.89	3.22	3.22	3.21	3.23											
		Amps	6.7	6.6	6.6	6.7	7.6	7.6	7.6	7.7	8.7	8.7	8.7	8.7	9.9	9.9	9.9	9.9	11.2	11.2	11.1	11.2	12.7	12.7	12.7	12.7											
Hi PR		256	257	259	263.2	296	297	299	303.4	338	339	341	345.6	384	385	387	391.0	433	434	435	439.9	485	486	488	492.2												
Lo PR	124	125	128	133.6	131	133	136	141.1	138	139	142	147.6	143	145	148	153.2	149	150	153	158.6	156	157	160	165.5													
1105	MBh	29.3	29.7	30.6	31.9	29.0	29.4	30.3	31.6	28.3	28.7	29.5	30.9	27.0	27.4	28.3	29.6	25.4	25.8	26.7	28.0	23.9	24.4	25.2	26.5												
	S/T	0.78	0.70	0.57	0.4	0.78	0.71	0.58	0.4	1.00	0.73	0.60	0.5	1.00	0.75	0.62	0.5	1.00	0.77	0.64	0.5	1.00	1.00	0.69	0.6												
	ΔT	22	21	17	14	22	20	17	14	23	21	17	14	22	20	17	14	22	20	17	13	23	21	18	14												
	kW	1.90	1.90	1.90	1.9	2.11	2.11	2.11	2.1	2.35	2.35	2.34	2.4	2.61	2.60	2.60	2.62	2.89	2.89	2.88	2.9	3.22	3.22	3.22	3.2												
	Amps	6.7	6.7	6.7	6.7	7.7	7.6	7.6	7.7	8.7	8.7	8.7	8.8	9.9	9.9	9.9	9.9	11.2	11.2	11.2	11.3	12.7	12.7	12.7	12.8												
	Hi PR	257	259	260	264.8	298	299	301	305.0	340	341	343	347.2	385	386	388	392.6	434	435	437	441.6	486	488	489	493.8												
Lo PR	125	127	130	135.0	133	134	137	142.5	139	141	144	149.0	145	146	149	154.6	150	152	155	160.0	157	158	162	166.8													

IDB: Entering Indoor Dry Bulb Temperature
 High and low pressures are measured at the liquid and suction service valves.
 Shaded area reflects ACCA (TVA) conditions
 kW = Total system power
 Amps = outdoor unit amps (comp.+fan)

IDB		Outdoor Ambient Temperature												105												115											
		65						75						85						95						105						115					
		Airflow		59	63	67	71	59	63	67	71	59	63	67	71	59	63	67	71	59	63	67	71	59	63	67	71	59	63	67	71	59	63	67	71		
Entering Indoor Wet Bulb Temperature																																					
80	MBh	28.8	29.2	30.1	31.4	28.6	29.0	29.9	31.2	27.8	28.2	29.1	30.4	26.5	26.9	27.8	29.1	24.9	25.4	26.2	27.5	23.5	23.9	24.8	26.1	23.5	23.9	24.8	26.1	23.5	23.9	24.8	26.1				
	S/T	1.00	0.71	0.58	0.4	1.00	0.74	0.61	0.5	1.00	0.76	0.63	0.5	1.00	0.76	0.63	0.5	1.00	1.00	0.65	0.5	1.00	1.00	0.70	0.6	1.00	1.00	0.70	0.6	1.00	1.00	0.70	0.6				
	ΔT	28	26	23	20	28	26	23	20	28	27	23	20	28	26	23	20	28	26	23	19	29	27	24	20	29	27	24	20	29	27	24	20				
	kW	1.89	1.88	1.88	1.9	2.10	2.09	2.09	2.1	2.33	2.33	2.33	2.3	2.59	2.58	2.58	2.6	2.87	2.87	2.87	2.9	3.21	3.20	3.20	3.2	3.21	3.20	3.20	3.2	3.21	3.20	3.20	3.2				
	Amps	6.6	6.6	6.6	6.7	7.6	7.6	7.5	7.6	8.6	8.6	8.6	8.7	9.8	9.8	9.8	9.9	11.1	11.1	11.1	11.2	12.6	12.6	12.6	12.7	12.6	12.6	12.6	12.7	12.6	12.6	12.6	12.7				
	Hi PR	254	255	257	261.5	294	296	297	301.8	337	338	339	343.9	382	383	385	389.3	431	432	434	438.3	483	484	486	490.5	483	484	486	490.5	483	484	486	490.5				
Lo PR	123	124	127	132.5	130	132	135	140.0	137	138	141	146.6	142	144	147	152.2	148	149	152	157.6	155	156	159	164.4	155	156	159	164.4	155	156	159	164.4					
1000	MBh	29.1	29.6	30.4	31.7	28.9	29.3	30.2	31.5	28.1	28.5	29.4	30.7	26.8	27.2	28.1	29.4	25.2	25.7	26.5	27.8	23.8	24.2	25.1	26.4	23.8	24.2	25.1	26.4	23.8	24.2	25.1	26.4				
	S/T	1.00	0.78	0.65	0.5	1.00	0.79	0.66	0.5	1.00	0.81	0.68	0.5	1.00	1.00	0.70	0.6	1.00	1.00	0.72	0.6	1.00	1.00	0.77	0.6	1.00	1.00	0.77	0.6	1.00	1.00	0.77	0.6				
	ΔT	27	25	22	18	27	25	22	18	27	26	22	19	27	25	22	18	27	25	22	18	28	26	23	19	28	26	23	19	28	26	23	19				
	kW	1.90	1.90	1.89	1.91	2.11	2.11	2.10	2.12	2.34	2.34	2.34	2.35	2.60	2.60	2.59	2.61	2.88	2.88	2.88	2.89	3.22	3.22	3.22	3.23	3.22	3.22	3.22	3.23	3.22	3.22	3.22	3.23				
	Amps	6.7	6.7	6.6	6.7	7.6	7.6	7.6	7.7	8.7	8.7	8.7	8.8	9.9	9.9	9.8	9.9	11.2	11.2	11.2	11.2	12.7	12.7	12.7	12.7	12.7	12.7	12.7	12.7	12.7	12.7	12.7	12.7				
	Hi PR	256	257	259	263.6	297	298	299	303.9	339	340	342	346.0	384	385	387	391.4	433	434	436	440.4	485	486	488	492.6	485	486	488	492.6	485	486	488	492.6				
Lo PR	124	126	129	134.1	132	133	136	141.6	138	140	143	148.2	144	145	148	153.7	149	151	154	159.2	156	158	161	166.0	156	158	161	166.0	156	158	161	166.0					
1105	MBh	29.4	29.8	30.7	32.0	29.2	29.6	30.5	31.8	28.4	28.8	29.7	31.0	27.1	27.5	28.4	29.7	25.5	26.0	26.8	28.1	24.1	24.5	25.4	26.7	24.1	24.5	25.4	26.7	24.1	24.5	25.4	26.7				
	S/T	1.00	0.82	0.69	0.6	1.00	0.83	0.70	0.6	1.00	0.85	0.72	0.6	1.00	1.00	0.74	0.6	1.00	1.00	0.76	0.6	1.00	1.00	0.81	0.7	1.00	1.00	0.81	0.7	1.00	1.00	0.81	0.7				
	ΔT	26	25	21	18	26	24	21	18	27	25	21	18	26	24	21	18	26	24	21	17	27	25	22	18	27	25	22	18	27	25	22	18				
	kW	1.90	1.90	1.90	1.9	2.12	2.11	2.11	2.1	2.35	2.35	2.35	2.4	2.61	2.60	2.60	2.6	2.89	2.89	2.89	2.9	3.22	3.22	3.22	3.2	3.22	3.22	3.22	3.2	3.22	3.22	3.22	3.2				
	Amps	6.7	6.7	6.7	6.7	7.7	7.7	7.6	7.7	8.7	8.7	8.7	8.8	9.9	9.9	9.9	10.0	11.2	11.2	11.2	11.3	12.7	12.7	12.7	12.8	12.7	12.7	12.7	12.8	12.7	12.7	12.7	12.8				
	Hi PR	258	259	261	265.3	298	299	301	305.5	340	341	343	347.7	386	387	389	393.1	435	436	438	442.0	487	488	490	494.3	487	488	490	494.3	487	488	490	494.3				
Lo PR	126	127	130	135.5	133	135	138	143.0	140	141	144	149.6	145	147	150	155.1	151	152	155	160.6	157	159	162	167.4	157	159	162	167.4	157	159	162	167.4					
875	MBh	29.3	29.7	30.6	31.9	29.1	29.5	30.3	31.7	28.3	28.7	29.6	30.9	27.0	27.4	28.3	29.6	25.4	25.8	26.7	28.0	24.0	24.4	25.3	26.6	24.0	24.4	25.3	26.6	24.0	24.4	25.3	26.6				
	S/T	1.00	0.81	0.68	0.5	1.00	0.81	0.68	0.5	1.00	1.00	0.71	0.6	1.00	1.00	0.73	0.6	1.00	1.00	0.75	0.6	1.00	1.00	0.80	0.7	1.00	1.00	0.80	0.7	1.00	1.00	0.80	0.7				
	ΔT	32	30	27	23	32	30	27	23	32	30	27	23	32	30	27	23	31	30	26	23	33	31	27	24	33	31	27	24	33	31	27	24				
	kW	1.89	1.89	1.88	1.9	2.10	2.10	2.09	2.1	2.34	2.33	2.33	2.3	2.59	2.59	2.59	2.6	2.88	2.87	2.87	2.9	3.21	3.21	3.20	3.2	3.21	3.21	3.20	3.2	3.21	3.21	3.20	3.2				
	Amps	6.6	6.6	6.6	6.7	7.6	7.6	7.6	7.6	8.7	8.7	8.6	8.7	9.8	9.8	9.8	9.9	11.1	11.1	11.1	11.2	12.7	12.7	12.7	12.7	12.7	12.7	12.7	12.7	12.7	12.7	12.7	12.7				
	Hi PR	255	256	258	262.7	296	297	299	303.0	338	339	341	345.1	383	384	386	390.5	432	433	435	439.5	484	485	487	491.7	484	485	487	491.7	484	485	487	491.7				
Lo PR	124	126	129	134.4	132	134	137	141.9	139	140	143	148.5	144	146	149	154.0	150	151	154	159.5	156	158	161	166.3	156	158	161	166.3	156	158	161	166.3					
1000	MBh	29.6	30.0	30.9	32.2	29.4	29.8	30.6	32.0	28.6	29.0	29.9	31.2	27.3	27.7	28.6	29.9	25.7	26.1	27.0	28.3	24.3	24.7	25.6	26.9	24.3	24.7	25.6	26.9	24.3	24.7	25.6	26.9				
	S/T	1.00	0.88	0.75	0.6	1.00	0.89	0.75	0.6	1.00	1.00	0.78	0.6	1.00	1.00	0.80	0.7	1.00	1.00	0.82	0.7	1.00	1.00	0.87	0.7	1.00	1.00	0.87	0.7	1.00	1.00	0.87	0.7				
	ΔT	31	29	25	22	31	29	25	22	31	29	26	22	31	29	25	22	30	29	25	22	31	30	26	23	31	30	26	23	31	30	26	23				
	kW	1.90	1.90	1.90	1.91	2.11	2.11	2.11	2.12	2.35	2.35	2.34	2.36	2.60	2.60	2.60	2.61	2.89	2.89	2.88	2.90	3.22	3.22	3.22	3.23	3.22	3.22	3.22	3.23	3.22	3.22	3.22	3.23				
	Amps	6.7	6.7	6.7	6.7	7.6	7.6	7.6	7.7	8.7	8.7	8.7	8.8	9.9	9.9	9.9	9.9	11.2	11.2	11.2	11.2	12.7	12.7	12.7	12.8	12.7	12.7	12.7	12.8	12.7	12.7	12.7	12.8				
	Hi PR	257	259	260	264.8	298	299	301	305.1	340	341	343	347.2	385	386	388	392.6	434	435	437	441.6	486	488	489	493.8	486	488	489	493.8	486	488	489	493.8				
Lo PR	126	128	131	136.0	134	135	138	143.5	140	142	145	150.0	146	147	150	155.6	151	153	156	161.0	158	159	163	167.8	158	159	163	167.8	158	159	163	167.8					
1105	MBh	29.9	30.3	31.2	32.5	29.7	30.1	30.9	32.3	28.9	29.3	30.2	31.5	27.6	28.0	28.9	30.2	26.0	26.4	27.3	28.6	24.6	25.0	25.9	27.2	24.6	25.0	25.9	27.2	24.6	25.0	25.9	27.2				
	S/T	1.00	0.92	0.79	0.7	1.00	0.92	0.79	0.7	1.00	1.00	0.82	0.7	1.00	1.00	0.84	0.7	1.00	1.00	0.86	0.7	1.00	1.00	0.91	0.8	1.00	1.00	0.91	0.8	1.00	1.00	0.91	0.8				
	ΔT	30	28	25	21	30	28	25	21	30	28	25	21	30	28	25	21	30	28	24	21	31	29	25	22	31	29	25	22	31	29	25	22				
	kW	1.91	1.91	1.90	1.9	2.12	2.12	2.11	2.1	2.36	2.35	2.35	2.4	2.61	2.61	2.60	2.6	2.89	2.89	2.89	2.9	3.23	3.23	3.23	3.2	3.23	3.23	3.23	3.2	3.23	3.23	3.23	3.2				
	Amps	6.7	6.7	6.7	6.8	7.7	7.7	7.7	7.7	8.8	8.7	8.7	8.8	9.9	9.9	9.9	10.0	11.2	11.2	11.2	11.3	12.8	12.8	12.8	12.8	12.8	12.8	12.8	12.8	12.8	12.8	12.8	12.8				
	Hi PR	259	260	262	266.5	299	30																														

IDB		OUTDOOR AMBIENT TEMPERATURE												ENTERING INDOOR WET BULB TEMPERATURE												
		65				75				85				95				105				115				
		AIRFLOW	59	63	67	71	59	63	67	71	59	63	67	71	59	63	67	71	59	63	67	71	59	63	67	71
70	1050	MBh	34.6	35.1	36.2	-	34.3	34.8	35.9	-	33.4	33.9	34.9	-	31.9	32.3	33.4	-	29.9	30.4	31.5	-	28.2	28.7	29.7	-
	S/T	0.58	0.50	0.36	-	0.58	0.51	0.37	-	0.61	0.53	0.40	-	0.63	0.55	0.42	-	1.00	0.57	0.44	-	1.00	0.63	0.49	-	
	ΔT	21	19	16	-	21	19	16	-	21	19	16	-	21	19	16	-	21	19	15	-	22	20	17	-	
	kW	2.21	2.21	2.21	-	2.47	2.47	2.46	-	2.75	2.75	2.75	-	3.06	3.06	3.06	-	3.41	3.41	3.40	-	3.82	3.81	3.81	-	
	Amps	7.9	7.9	7.8	-	9.0	9.0	9.0	-	10.3	10.3	10.3	-	11.8	11.8	11.7	-	13.3	13.3	13.3	-	15.2	15.2	15.2	-	
	Hi PR	256	257	259	-	296	297	299	-	339	340	341	-	384	385	387	-	433	435	436	-	486	487	489	-	
	Lo PR	121	123	126	-	129	130	133	-	135	137	140	-	141	142	145	-	146	148	151	-	153	155	158	-	
	1270	MBh	35.3	35.7	36.8	-	34.9	35.4	36.5	-	34.0	34.5	35.6	-	32.5	33.0	34.0	-	30.6	31.0	32.1	-	28.8	29.3	30.3	-
	S/T	0.67	0.59	0.46	-	0.67	0.60	0.46	-	0.70	0.62	0.49	-	1.00	0.64	0.51	-	1.00	0.67	0.53	-	1.00	0.72	0.58	-	
	ΔT	19	18	14	-	19	17	14	-	20	18	14	-	19	17	14	-	19	17	14	-	20	18	15	-	
kW	2.23	2.23	2.23	-	2.49	2.49	2.48	-	2.77	2.77	2.77	-	3.08	3.08	3.08	-	3.43	3.43	3.42	-	3.83	3.83	3.83	-		
Amps	8.0	8.0	7.9	-	9.1	9.1	9.1	-	10.4	10.4	10.4	-	11.9	11.8	11.8	-	13.4	13.4	13.4	-	15.3	15.3	15.3	-		
Hi PR	259	260	262	-	299	300	302	-	342	343	345	-	387	388	390	-	437	438	439	-	489	490	492	-		
Lo PR	124	125	129	-	131	133	136	-	138	139	142	-	143	145	148	-	149	150	153	-	155	157	160	-		
1350	MBh	35.5	36.0	37.0	-	35.2	35.7	36.7	-	34.3	34.8	35.8	-	32.7	33.2	34.3	-	30.8	31.3	32.4	-	29.1	29.6	30.6	-	
S/T	0.69	0.61	0.48	-	0.69	0.62	0.48	-	0.72	0.64	0.51	-	1.00	0.66	0.53	-	1.00	0.69	0.55	-	1.00	0.74	0.60	-		
ΔT	19	17	13	-	19	17	13	-	19	17	14	-	19	17	13	-	19	17	13	-	20	18	14	-		
kW	2.24	2.24	2.23	-	2.49	2.49	2.49	-	2.78	2.78	2.77	-	3.09	3.09	3.08	-	3.43	3.43	3.43	-	3.84	3.84	3.83	-		
Amps	8.0	8.0	8.0	-	9.2	9.1	9.1	-	10.5	10.5	10.4	-	11.9	11.9	11.8	-	13.5	13.5	13.4	-	15.3	15.3	15.3	-		
Hi PR	260	261	263	-	300	301	303	-	343	344	346	-	388	389	391	-	438	439	440	-	490	491	493	-		
Lo PR	125	126	129	-	132	134	137	-	139	140	143	-	144	146	149	-	150	151	154	-	156	158	161	-		
75	1050	MBh	34.7	35.2	36.2	37.8	34.3	34.8	35.9	37.5	33.4	33.9	35.0	36.6	31.9	32.4	33.4	35.0	30.0	30.5	31.5	33.1	28.2	28.7	29.8	31.3
	S/T	0.71	0.63	0.49	0.4	0.71	0.64	0.50	0.4	0.71	0.66	0.53	0.4	0.4	1.00	0.68	0.54	0.4	1.00	0.70	0.57	0.4	1.00	0.75	0.62	0.5
	ΔT	25	23	20	16	25	23	20	16	25	23	20	16	16	25	23	20	16	25	23	20	16	26	24	21	17
	kW	2.21	2.21	2.20	2.2	2.47	2.47	2.46	2.5	2.75	2.75	2.75	2.8	3.06	3.06	3.06	3.1	3.41	3.41	3.40	3.4	3.81	3.81	3.81	3.8	
	Amps	7.9	7.9	7.8	7.9	9.0	9.0	9.0	9.1	10.3	10.3	10.3	10.4	11.8	11.7	11.7	11.8	13.3	13.3	13.3	13.4	15.2	15.2	15.2	15.3	
	Hi PR	256	257	259	263.3	296	297	299	303.7	339	340	342	346.2	384	386	387	391.8	434	435	437	441.1	486	487	489	493.6	
	Lo PR	121	123	126	131.3	129	130	134	138.7	135	137	140	145.2	141	142	146	150.7	146	148	151	156.1	153	155	158	162.9	
	1270	MBh	35.3	35.8	36.8	38.4	35.0	35.5	36.5	38.1	34.1	34.5	35.6	37.2	32.5	33.0	34.0	35.6	30.6	31.1	32.1	33.7	28.8	29.3	30.4	32.0
	S/T	0.80	0.72	0.59	0.4	0.80	0.73	0.59	0.4	0.80	0.75	0.62	0.5	0.5	1.00	0.77	0.64	0.5	1.00	0.79	0.66	0.5	1.00	1.00	0.71	0.6
	ΔT	24	22	18	14	24	22	18	14	24	22	18	15	15	24	22	18	14	23	21	18	14	24	23	19	15
kW	2.23	2.23	2.22	2.24	2.49	2.48	2.48	2.50	2.77	2.77	2.77	2.79	3.08	3.08	3.08	3.09	3.44	3.43	3.42	3.44	3.83	3.83	3.83	3.85		
Amps	7.9	7.9	7.9	8.0	9.1	9.1	9.1	9.2	10.4	10.4	10.4	10.5	11.8	11.8	11.8	11.9	13.4	13.4	13.4	13.5	15.3	15.3	15.3	15.3		
Hi PR	259	260	262	266.3	299	301	302	306.8	342	343	345	349.2	388	389	390	394.9	437	438	440	444.1	489	490	492	496.7		
Lo PR	124	125	129	133.7	131	133	136	141.2	138	139	142	147.7	143	145	148	153.2	149	150	153	158.6	156	157	160	165.3		
1350	MBh	35.5	36.0	37.1	38.7	35.2	35.7	36.8	38.3	34.3	34.8	35.8	37.4	32.8	33.2	34.3	35.9	30.8	31.3	32.4	34.0	29.1	29.6	30.6	32.2	
S/T	0.82	0.74	0.61	0.5	0.82	0.75	0.61	0.5	0.82	0.77	0.64	0.5	0.5	1.00	0.79	0.66	0.5	1.00	0.81	0.68	0.5	1.00	1.00	0.73	0.6	
ΔT	23	21	18	14	23	21	18	14	23	21	18	14	14	23	21	18	14	23	21	17	14	24	22	19	15	
kW	2.24	2.23	2.23	2.2	2.49	2.49	2.49	2.5	2.78	2.78	2.77	2.8	3.09	3.09	3.08	3.1	3.43	3.43	3.43	3.4	3.84	3.84	3.83	3.9		
Amps	8.0	8.0	7.9	8.0	9.1	9.1	9.1	9.2	10.5	10.4	10.4	10.5	11.9	11.9	11.9	11.9	13.5	13.4	13.4	13.5	15.3	15.3	15.3	15.4		
Hi PR	260	261	263	267.4	300	302	303	307.9	343	344	346	350.3	389	390	391	396.0	438	439	441	445.2	490	491	493	497.7		
Lo PR	125	126	130	134.7	132	134	137	142.1	139	140	143	148.6	144	146	149	154.1	150	151	154	159.5	156	158	161	166.3		

IDB: Entering Indoor Dry Bulb Temperature
 High and low pressures are measured at the liquid and suction service valves.
 Shaded area reflects ACCA (TVA) conditions
 kW = Total system power
 Amps = outdoor unit amps (comp.+fan)

IDB		OUTDOOR AMBIENT TEMPERATURE																							
		75				85				95				105				115							
		59	63	67	71	59	63	67	71	59	63	67	71	59	63	67	71	59	63	67	71				
		ENTERING INDOOR WET BULB TEMPERATURE																							
		AIRFLOW																							
1050	MBh	34.8	35.3	36.4	38.0	34.5	35.0	36.1	37.6	33.6	34.1	35.1	36.7	32.1	32.5	33.6	35.2	30.1	30.6	31.7	33.3	28.4	28.9	29.9	31.5
	S/T	0.83	0.76	0.62	0.5	1.00	0.76	0.63	0.5	1.00	0.79	0.65	0.5	1.00	0.81	0.67	0.5	1.00	1.00	0.69	0.5	1.00	1.00	0.74	0.6
	ΔT	30	28	24	20	29	28	24	21	30	28	24	21	29	28	24	20	29	27	24	20	30	28	25	21
	kW	2.21	2.21	2.21	2.2	2.47	2.47	2.46	2.5	2.75	2.75	2.75	2.8	3.06	3.06	3.06	3.1	3.41	3.41	3.40	3.4	3.81	3.81	3.81	3.8
	Amps	7.9	7.9	7.8	7.9	9.0	9.0	9.0	9.1	10.3	10.3	10.3	10.4	11.8	11.8	11.7	11.8	13.3	13.3	13.3	13.4	15.2	15.2	15.2	15.3
	Hi PR	256	257	259	263.7	297	298	300	304.2	339	340	342	346.6	385	386	388	392.3	434	435	437	441.5	487	488	490	494.1
	Lo PR	122	124	127	131.8	129	131	134	139.2	136	137	141	145.7	141	143	146	151.2	147	148	151	156.6	154	155	158	163.4
	MBh	35.5	35.9	37.0	38.6	35.1	35.6	36.7	38.3	34.2	34.7	35.8	37.4	32.7	33.2	34.2	35.8	30.8	31.2	32.3	33.9	29.0	29.5	30.5	32.1
	S/T	1.00	0.85	0.71	0.6	1.00	0.85	0.72	0.6	1.00	0.88	0.74	0.6	1.00	1.00	0.76	0.6	1.00	1.00	0.78	0.6	1.00	1.00	0.84	0.7
	ΔT	28	26	22	19	28	26	22	19	28	26	23	19	28	26	22	19	28	26	22	18	29	27	23	20
kW	2.23	2.23	2.23	2.25	2.49	2.49	2.48	2.50	2.77	2.77	2.77	2.79	3.08	3.08	3.08	3.10	3.43	3.43	3.42	3.44	3.83	3.83	3.83	3.85	
Amps	8.0	7.9	7.9	8.0	9.1	9.1	9.1	9.2	10.4	10.4	10.4	10.5	11.8	11.8	11.8	11.9	13.4	13.4	13.4	13.5	15.3	15.3	15.3	15.3	
Hi PR	259	261	262	266.8	300	301	303	307.3	342	343	345	349.7	388	389	391	395.4	437	438	440	444.6	490	491	493	497.1	
Lo PR	124	126	129	134.3	132	133	137	141.7	138	140	143	148.2	144	145	149	153.7	149	151	154	159.1	156	158	161	165.9	
MBh	35.7	36.2	37.2	38.8	35.4	35.9	36.9	38.5	34.5	35.0	36.0	37.6	32.9	33.4	34.5	36.1	31.0	31.5	32.6	34.1	29.3	29.8	30.8	32.4	
S/T	1.00	0.87	0.73	0.6	1.00	0.87	0.74	0.6	1.00	0.90	0.76	0.6	1.00	1.00	0.78	0.6	1.00	1.00	0.80	0.7	1.00	1.00	0.86	0.7	
ΔT	27	25	22	18	27	25	22	18	28	26	22	18	27	25	22	18	27	25	22	18	28	26	23	19	
kW	2.24	2.24	2.23	2.3	2.49	2.49	2.49	2.5	2.78	2.78	2.77	2.8	3.09	3.09	3.08	3.1	3.43	3.43	3.43	3.4	3.84	3.84	3.83	3.9	
Amps	8.0	8.0	8.0	8.0	9.2	9.1	9.1	9.2	10.5	10.5	10.4	10.5	11.9	11.9	11.8	11.9	13.5	13.4	13.4	13.5	15.3	15.3	15.3	15.4	
Hi PR	260	262	263	267.9	301	302	304	308.4	343	344	346	350.8	389	390	392	396.4	438	439	441	445.7	491	492	494	498.2	
Lo PR	125	127	130	135.2	133	134	137	142.7	139	141	144	149.2	145	146	149	154.7	150	152	155	160.1	157	159	162	166.8	
MBh	35.4	35.9	37.3	38.8	35.7	36.2	37.3	38.8	34.8	35.3	36.3	37.9	33.3	33.7	34.8	36.4	31.3	31.8	32.9	34.5	29.6	30.1	31.1	32.7	
S/T	1.00	0.95	0.81	0.7	1.00	0.96	0.82	0.7	1.00	1.00	0.84	0.7	1.00	1.00	0.86	0.7	1.00	1.00	0.89	0.7	1.00	1.00	1.00	0.8	
ΔT	32	30	26	22	32	30	26	22	32	30	26	23	32	30	26	22	31	29	26	22	32	31	27	23	
kW	2.24	2.23	2.23	2.25	2.49	2.49	2.49	2.51	2.78	2.78	2.77	2.79	3.09	3.09	3.08	3.10	3.43	3.43	3.43	3.45	3.84	3.84	3.83	3.85	
Amps	8.0	8.0	7.9	8.0	9.1	9.1	9.1	9.2	10.5	10.4	10.4	10.5	11.9	11.9	11.8	11.9	13.5	13.4	13.4	13.5	15.3	15.3	15.3	15.4	
Hi PR	261	262	264	268.0	301	302	304	308.5	344	345	346	350.9	389	390	392	396.6	438	440	441	445.8	491	492	494	498.3	
Lo PR	126	128	131	136.1	134	135	138	143.5	140	142	145	150.0	146	147	150	155.5	151	153	156	160.9	158	159	162	167.7	
MBh	36.0	36.5	37.6	39.4	36.0	36.5	37.5	39.1	35.1	35.6	36.6	38.2	33.5	34.0	35.1	36.6	31.6	32.1	33.1	34.7	29.9	30.4	31.4	33.0	
S/T	1.00	0.97	0.83	0.7	1.00	1.00	0.84	0.7	1.00	1.00	0.86	0.7	1.00	1.00	0.88	0.7	1.00	1.00	0.91	0.8	1.00	1.00	1.00	0.8	
ΔT	31	29	26	22	31	29	26	22	31	29	26	22	31	29	26	22	31	29	25	22	32	30	26	23	
kW	2.24	2.24	2.24	2.3	2.50	2.50	2.49	2.5	2.78	2.78	2.78	2.8	3.09	3.09	3.09	3.1	3.44	3.44	3.43	3.5	3.84	3.84	3.84	3.9	
Amps	8.0	8.0	8.0	8.1	9.2	9.2	9.1	9.2	10.5	10.5	10.5	10.5	11.9	11.9	11.9	12.0	13.5	13.5	13.5	13.5	15.3	15.3	15.3	15.4	
Hi PR	262	263	265	269.1	302	303	305	309.6	345	346	347	352.0	390	391	393	397.6	439	441	442	446.9	492	493	495	499.4	
Lo PR	127	129	132	137.1	135	136	139	144.5	141	143	146	151.0	147	148	151	156.5	152	154	157	161.9	159	160	163	168.7	

IDB: Entering Indoor Dry Bulb Temperature
 High and low pressures are measured at the liquid and suction service valves.
 Shaded area reflects AHRI conditions
 kW = Total system power
 Amps = outdoor unit amps (comp. + fan)

IDB		OUTDOOR AMBIENT TEMPERATURE												ENTERING INDOOR WET BULB TEMPERATURE												
		65				75				85				95				105				115				
		59	63	67	71	59	63	67	71	59	63	67	71	59	63	67	71	59	63	67	71	59	63	67	71	
70	1225	MBh	40.1	40.6	41.8	-	39.7	40.3	41.5	-	38.6	39.2	40.4	-	36.8	37.4	38.6	-	34.6	35.2	36.4	-	32.6	33.2	34.4	-
		S/T	0.58	0.50	0.37	-	0.58	0.51	0.37	-	0.61	0.53	0.40	-	0.63	0.55	0.42	-	1.00	0.57	0.44	-	1.00	0.62	0.49	-
		ΔT	21	19	16	-	21	19	15	-	21	19	16	-	21	19	15	-	21	19	15	-	22	20	16	-
		kW	2.55	2.55	2.54	-	2.85	2.84	2.84	-	3.18	3.18	3.17	-	3.54	3.54	3.53	-	3.94	3.94	3.94	-	4.42	4.42	4.41	-
		Amps	9.1	9.0	9.0	-	10.4	10.4	10.4	-	12.0	11.9	11.9	-	13.6	13.6	13.6	-	15.5	15.4	15.4	-	17.6	17.6	17.6	-
		Hi PR	264	266	267	-	306	307	309	-	350	351	353	-	397	398	400	-	448	449	451	-	502	504	505	-
	Lo PR	122	123	126	-	129	131	134	-	136	137	140	-	141	143	146	-	146	148	151	-	153	155	158	-	
	1460	MBh	40.7	41.3	42.5	-	40.4	40.9	42.1	-	39.3	39.9	41.1	-	37.5	38.1	39.3	-	35.3	35.9	37.1	-	33.3	33.8	35.0	-
		S/T	0.66	0.58	0.45	-	0.66	0.59	0.45	-	0.69	0.61	0.48	-	1.00	0.63	0.50	-	1.00	0.65	0.52	-	1.00	0.70	0.57	-
		ΔT	19	18	14	-	19	17	14	-	20	18	14	-	19	17	14	-	19	17	14	-	20	18	15	-
		kW	2.57	2.57	2.56	-	2.87	2.86	2.86	-	3.20	3.20	3.19	-	3.56	3.56	3.55	-	3.96	3.96	3.96	-	4.44	4.44	4.43	-
		Amps	9.2	9.1	9.1	-	10.5	10.5	10.5	-	12.0	12.0	12.0	-	13.7	13.7	13.7	-	15.5	15.5	15.5	-	17.7	17.7	17.7	-
Hi PR		267	269	270	-	309	310	312	-	353	354	356	-	400	401	403	-	451	452	454	-	505	507	508	-	
Lo PR	124	125	129	-	131	133	136	-	138	139	142	-	143	145	148	-	149	150	153	-	156	157	160	-		
1575	MBh	41.1	41.7	42.9	-	40.7	41.3	42.5	-	39.7	40.3	41.5	-	37.9	38.5	39.7	-	35.7	36.2	37.4	-	33.7	34.2	35.4	-	
	S/T	0.68	0.61	0.47	-	0.69	0.61	0.48	-	0.71	0.64	0.50	-	1.00	0.66	0.52	-	1.00	0.68	0.54	-	1.00	0.73	0.59	-	
	ΔT	19	17	13	-	19	17	13	-	19	17	14	-	19	17	13	-	18	17	13	-	20	18	14	-	
	kW	2.58	2.57	2.57	-	2.88	2.87	2.87	-	3.21	3.21	3.20	-	3.57	3.57	3.56	-	3.97	3.97	3.97	-	4.45	4.44	4.44	-	
	Amps	9.2	9.2	9.2	-	10.6	10.5	10.5	-	12.1	12.1	12.1	-	13.7	13.7	13.7	-	15.6	15.6	15.5	-	17.7	17.7	17.7	-	
	Hi PR	269	270	272	-	311	312	314	-	354	356	357	-	402	403	405	-	452	454	455	-	507	508	510	-	
Lo PR	125	127	130	-	133	134	137	-	139	141	144	-	145	146	149	-	150	151	155	-	157	158	161	-		
75	1225	MBh	40.1	40.6	41.8	43.7	39.7	40.3	41.5	43.3	38.7	39.2	40.4	42.3	36.9	37.4	38.6	40.5	34.7	35.2	36.4	38.3	32.6	33.2	34.4	36.2
		S/T	0.70	0.63	0.49	0.4	0.71	0.63	0.50	0.4	1.00	0.66	0.52	0.4	1.00	0.68	0.54	0.4	1.00	0.70	0.57	0.4	1.00	1.00	0.62	0.5
		ΔT	25	23	20	16	25	23	20	16	25	23	20	16	25	23	20	16	25	23	19	16	26	24	21	17
		kW	2.55	2.54	2.54	2.6	2.84	2.84	2.84	2.9	3.18	3.18	3.17	3.2	3.54	3.54	3.53	3.6	3.94	3.94	3.93	4.0	4.42	4.41	4.41	4.4
		Amps	9.0	9.0	9.0	9.1	10.4	10.4	10.4	10.5	11.9	11.9	11.9	12.0	13.6	13.6	13.6	13.7	15.4	15.4	15.4	15.5	17.6	17.6	17.6	17.7
		Hi PR	265	266	268	272.3	306	308	310	314.1	350	351	353	358.0	398	399	401	405.1	448	450	451	456.0	503	504	506	510.3
	Lo PR	122	123	126	131.5	129	131	134	138.9	136	137	140	145.4	141	143	146	150.9	146	148	151	156.3	153	155	158	163.1	
	1460	MBh	40.7	41.3	42.5	44.3	40.4	40.9	42.1	44.0	39.3	39.9	41.1	42.9	37.5	38.1	39.3	41.1	35.3	35.9	37.1	38.9	33.3	33.9	35.1	36.9
		S/T	0.78	0.71	0.58	0.4	0.79	0.72	0.58	0.4	1.00	0.74	0.61	0.5	1.00	0.76	0.63	0.5	1.00	0.78	0.65	0.5	1.00	1.00	0.70	0.6
		ΔT	24	22	18	14	24	22	18	14	24	22	18	15	24	21	17	14	23	21	18	14	25	23	19	15
		kW	2.57	2.56	2.56	2.58	2.87	2.86	2.86	2.88	3.20	3.20	3.19	3.21	3.56	3.56	3.55	3.58	3.96	3.96	3.96	3.98	4.44	4.43	4.43	4.45
		Amps	9.1	9.1	9.1	9.2	10.5	10.5	10.5	10.6	12.0	12.0	12.0	12.1	13.7	13.7	13.7	13.8	15.5	15.5	15.5	15.6	17.7	17.7	17.7	17.8
Hi PR		268	269	271	275.2	309	311	312	317.1	353	354	356	360.9	400	402	403	408.1	451	452	454	459.0	506	507	509	513.3	
Lo PR	124	125	129	133.8	131	133	136	141.2	138	139	143	147.7	143	145	148	153.2	149	150	153	158.6	156	157	160	165.4		
1575	MBh	41.1	41.7	42.9	44.7	40.8	41.3	42.5	44.4	39.7	40.3	41.5	43.3	37.9	38.5	39.7	41.5	35.7	36.3	37.5	39.3	33.7	34.3	35.5	37.3	
	S/T	0.81	0.73	0.60	0.5	0.81	0.74	0.61	0.5	1.00	0.76	0.63	0.5	1.00	0.78	0.65	0.5	1.00	0.81	0.67	0.5	1.00	1.00	0.72	0.6	
	ΔT	23	21	18	14	23	21	17	14	23	21	18	14	23	21	17	14	23	21	17	14	24	22	18	15	
	kW	2.57	2.57	2.57	2.6	2.87	2.87	2.87	2.9	3.21	3.20	3.20	3.2	3.57	3.57	3.56	3.6	3.97	3.97	3.96	4.0	4.44	4.44	4.44	4.5	
	Amps	9.2	9.2	9.1	9.3	10.6	10.5	10.5	10.6	12.1	12.1	12.0	12.1	13.7	13.7	13.7	13.8	15.6	15.6	15.5	15.6	17.7	17.7	17.7	17.8	
	Hi PR	269	270	272	276.6	311	312	314	318.4	355	356	358	362.3	402	403	405	409.5	453	454	456	460.3	507	508	510	514.6	
Lo PR	125	127	130	135.0	133	134	137	142.4	139	141	144	148.9	145	146	149	154.4	150	152	155	159.8	157	158	161	166.6		

IDB: Entering Indoor Dry Bulb Temperature
 High and low pressures are measured at the liquid and suction service valves.
 Shaded area reflects ACCA (TVA) conditions
 kW = Total system power
 Amps = outdoor unit amps (comp.+fan)

IDB		OUTDOOR AMBIENT TEMPERATURE												105												115											
		65						75						85						95						105						115					
		AIRFLOW		59	63	67	71	59	63	67	71	59	63	67	71	59	63	67	71	59	63	67	71	59	63	67	71	59	63	67	71	59	63	67	71		
ENTERING INDOOR WET BULB TEMPERATURE												ENTERING INDOOR WET BULB TEMPERATURE												ENTERING INDOOR WET BULB TEMPERATURE													
80	MBh	40.3	40.9	42.1	43.9	39.9	40.5	41.7	43.5	38.9	39.4	40.6	42.5	37.1	37.6	38.8	40.7	34.9	35.4	36.6	38.5	32.8	33.4	34.6	36.4												
	S/T	0.83	0.75	0.62	0.5	1.00	0.78	0.65	0.5	1.00	0.80	0.67	0.5	1.00	0.80	0.67	0.5	1.00	1.00	0.69	0.5	1.00	1.00	0.74	0.6												
	ΔT	29	27	24	20	29	27	24	20	29	27	24	20	29	27	24	20	29	27	24	20	30	28	25	21												
	kW	2.55	2.54	2.54	2.6	2.85	2.84	2.84	2.9	3.18	3.18	3.17	3.2	3.54	3.54	3.53	3.6	3.94	3.94	3.94	4.0	4.42	4.41	4.41	4.4												
	Amps	9.1	9.0	9.0	9.1	10.4	10.4	10.4	10.5	12.0	11.9	11.9	12.0	13.6	13.6	13.6	13.7	15.4	15.4	15.4	15.5	17.6	17.6	17.6	17.7												
	Hi PR	265	266	268	272.8	307	308	310	314.6	351	352	354	358.4	398	399	401	405.6	449	450	452	456.5	503	504	506	510.8												
	Lo PR	122	124	127	132.0	130	131	134	139.4	136	138	141	146.0	142	143	146	151.5	147	149	152	156.9	154	155	158	163.6												
	MBh	40.9	41.5	42.7	44.5	40.6	41.2	42.4	44.2	39.5	40.1	41.3	43.1	37.7	38.3	39.5	41.3	35.5	36.1	37.3	39.1	33.5	34.1	35.3	37.1												
	S/T	1.00	0.83	0.70	0.6	1.00	0.84	0.71	0.6	1.00	0.86	0.73	0.6	1.00	1.00	0.75	0.6	1.00	1.00	0.77	0.6	1.00	1.00	0.82	0.7												
	ΔT	28	26	22	19	28	26	22	19	28	26	23	19	28	26	22	18	28	26	22	18	29	27	23	20												
	kW	2.57	2.57	2.56	2.58	2.87	2.86	2.86	2.88	3.20	3.20	3.19	3.22	3.56	3.56	3.55	3.58	3.96	3.96	3.96	3.98	4.44	4.44	4.43	4.45												
	Amps	9.2	9.1	9.1	9.2	10.5	10.5	10.5	10.6	12.0	12.0	12.0	12.1	13.7	13.7	13.7	13.8	15.5	15.5	15.5	15.6	17.7	17.7	17.7	17.8												
Hi PR	268	269	271	275.7	310	311	313	317.6	354	355	357	361.4	401	402	404	408.6	452	453	455	459.5	506	507	509	513.8													
Lo PR	124	126	129	134.3	132	133	137	141.7	138	140	143	148.2	144	145	149	153.7	149	151	154	159.1	156	158	161	165.9													
MBh	41.3	41.9	43.1	44.9	41.0	41.5	42.7	44.6	39.9	40.5	41.7	43.5	38.1	38.7	39.9	41.7	35.9	36.5	37.7	39.5	33.9	34.5	35.7	37.5													
S/T	1.00	0.86	0.72	0.6	1.00	0.86	0.73	0.6	1.00	0.89	0.75	0.6	1.00	1.00	0.77	0.6	1.00	1.00	0.80	0.7	1.00	1.00	0.85	0.7													
ΔT	27	25	22	18	27	25	22	18	27	26	22	18	27	25	22	18	27	25	21	18	28	26	23	19													
kW	2.58	2.57	2.57	2.6	2.88	2.87	2.87	2.9	3.21	3.21	3.20	3.2	3.57	3.57	3.56	3.6	3.97	3.97	3.97	4.0	4.45	4.44	4.44	4.5													
Amps	9.2	9.2	9.2	9.3	10.6	10.5	10.5	10.6	12.1	12.1	12.0	12.2	13.7	13.7	13.7	13.8	15.6	15.6	15.5	15.7	17.7	17.7	17.7	17.8													
Hi PR	269	271	272	277.1	311	312	314	318.9	355	356	358	362.8	402	403	405	410.0	453	454	456	460.8	507	509	511	515.1													
Lo PR	126	127	130	135.5	133	135	138	143.0	140	141	144	149.5	145	147	150	155.0	151	152	155	160.4	157	159	162	167.1													

IDB		OUTDOOR AMBIENT TEMPERATURE												105												115											
		65						75						85						95						105						115					
		AIRFLOW		59	63	67	71	59	63	67	71	59	63	67	71	59	63	67	71	59	63	67	71	59	63	67	71	59	63	67	71	59	63	67	71		
ENTERING INDOOR WET BULB TEMPERATURE												ENTERING INDOOR WET BULB TEMPERATURE												ENTERING INDOOR WET BULB TEMPERATURE													
85	MBh	41.0	41.5	42.7	44.6	40.6	41.2	42.4	44.2	39.6	40.1	41.3	43.2	37.7	38.3	39.5	41.3	35.5	36.1	37.3	39.1	33.5	34.1	35.3	37.1												
	S/T	1.00	0.85	0.72	0.6	1.00	0.86	0.72	0.6	1.00	1.00	0.75	0.6	1.00	1.00	0.77	0.6	1.00	1.00	0.79	0.6	1.00	1.00	1.00	0.7												
	ΔT	33	31	28	24	33	31	28	24	33	31	28	24	33	31	28	24	33	31	27	24	34	32	29	25												
	kW	2.55	2.55	2.55	2.6	2.85	2.85	2.84	2.9	3.19	3.18	3.18	3.2	3.55	3.54	3.54	3.6	3.95	3.95	3.94	4.0	4.42	4.42	4.42	4.4												
	Amps	9.1	9.1	9.0	9.2	10.5	10.4	10.4	10.5	12.0	12.0	11.9	12.0	13.6	13.6	13.6	13.7	15.5	15.5	15.4	15.5	17.6	17.6	17.6	17.7												
	Hi PR	266	268	269	274.0	308	309	311	315.9	352	353	355	359.7	399	400	402	406.9	450	451	453	457.8	504	506	507	512.1												
	Lo PR	124	126	129	133.8	131	133	136	141.3	138	139	143	147.8	143	145	148	153.3	149	150	153	158.7	156	157	160	165.4												
	MBh	41.6	42.2	43.4	45.2	41.3	41.8	43.0	44.9	40.2	40.8	42.0	43.8	38.4	39.0	40.2	42.0	36.2	36.8	38.0	39.8	34.2	34.8	36.0	37.8												
	S/T	1.00	0.93	0.80	0.7	1.00	0.94	0.81	0.7	1.00	1.00	0.83	0.7	1.00	1.00	0.85	0.7	1.00	1.00	0.87	0.7	1.00	1.00	1.00	0.8												
	ΔT	32	30	26	22	32	30	26	22	32	30	26	22	32	30	26	22	31	29	26	22	32	31	27	23												
	kW	2.57	2.57	2.57	2.59	2.87	2.87	2.86	2.89	3.21	3.20	3.20	3.22	3.57	3.56	3.56	3.58	3.97	3.97	3.96	3.99	4.44	4.44	4.44	4.46												
	Amps	9.2	9.2	9.1	9.2	10.5	10.5	10.5	10.6	12.1	12.1	12.0	12.1	13.7	13.7	13.7	13.8	15.6	15.6	15.5	15.6	17.7	17.7	17.7	17.8												
Hi PR	269	270	272	277.0	311	312	314	318.8	355	356	358	362.6	402	403	405	409.8	453	454	456	460.7	507	509	510	515.0													
Lo PR	126	128	131	136.1	134	135	138	143.6	140	142	145	150.1	146	147	150	155.6	151	153	156	161.0	158	159	163	167.7													
MBh	42.0	42.6	43.8	45.6	41.6	42.2	43.4	45.3	40.6	41.2	42.4	44.2	38.8	39.4	40.6	42.4	36.6	37.2	38.4	40.2	34.6	35.1	36.3	38.2													
S/T	1.00	0.96	0.82	0.7	1.00	1.00	0.83	0.7	1.00	1.00	0.85	0.7	1.00	1.00	0.87	0.7	1.00	1.00	0.90	0.8	1.00	1.00	1.00	0.8													
ΔT	31	29	26	22	31	29	25	22	31	29	26	22	31	29	25	22	31	29	25	21	32	30	26	23													
kW	2.58	2.58	2.57	2.6	2.88	2.88	2.87	2.9	3.21	3.21	3.21	3.2	3.58	3.57	3.57	3.6	3.98	3.98	3.97	4.0	4.45	4.45	4.44	4.5													
Amps	9.2	9.2	9.2	9.3	10.6	10.6	10.5	10.7	12.1	12.1	12.1	12.2	13.8	13.8	13.7	13.8	15.6	15.6	15.6	15.7	17.8	17.8	17.7	17.8													
Hi PR	271	272	274	278.3	313	314	316	320.2	356	358	359	364.0	404	405	407	411.2	454	456	457	462.1	509	510	512	516.4													
Lo PR	128	129	132	137.4	135	136	140	144.8	141	143	146	151.3	147	148	152	156.8	152	154	157	162.2	159	161	164	169.0													

IDB: Entering Indoor Dry Bulb Temperature
 High and low pressures are measured at the liquid and suction service valves.
 Shaded area reflects AHRI conditions
 kW = Total system power
 Amps = outdoor unit amps (comp. + fan)

IDB	AIRFLOW	OUTDOOR AMBIENT TEMPERATURE																							
		65				75				85				95				105				115			
		59	63	67	71	59	63	67	71	59	63	67	71	59	63	67	71	59	63	67	71	59	63	67	71
70	MbH	45.7	46.3	47.7	-	45.3	45.9	47.3	-	44.1	44.7	46.1	-	42.0	42.7	44.0	-	39.5	40.2	41.5	-	37.2	37.9	39.2	-
	S/T	0.60	0.52	0.39	-	0.61	0.53	0.39	-	0.63	0.55	0.42	-	0.65	0.57	0.44	-	1.00	0.60	0.46	-	1.00	0.65	0.51	-
	ΔT	21	19	16	-	21	19	16	-	22	20	16	-	21	19	16	-	21	19	15	-	22	20	17	-
	kW	2.97	2.97	2.97	-	3.32	3.31	3.31	-	3.70	3.69	3.69	-	4.11	4.11	4.10	-	4.57	4.57	4.56	-	5.11	5.11	5.10	-
	Amps	10.6	10.6	10.6	-	12.2	12.2	12.1	-	13.9	13.9	13.9	-	15.8	15.8	15.8	-	17.9	17.9	17.9	-	20.4	20.4	20.3	-
	Hi PR	256	257	259	-	297	298	300	-	339	340	342	-	385	386	388	-	434	435	437	-	486	488	489	-
	Lo PR	122	122	125	-	127	129	132	-	134	135	138	-	139	141	144	-	145	146	149	-	151	153	156	-
	MbH	46.4	47.0	48.4	-	46.0	46.6	48.0	-	44.8	45.4	46.8	-	42.7	43.4	44.7	-	40.2	40.9	42.2	-	37.9	38.6	39.9	-
	S/T	0.67	0.60	0.46	-	0.68	0.60	0.47	-	0.71	0.63	0.49	-	0.72	0.65	0.51	-	1.00	0.67	0.53	-	1.00	0.72	0.59	-
	ΔT	20	18	14	-	20	18	14	-	20	18	15	-	20	18	14	-	20	18	14	-	21	19	15	-
kW	3.00	2.99	2.99	-	3.34	3.33	3.33	-	3.72	3.72	3.71	-	4.13	4.13	4.12	-	4.59	4.59	4.58	-	5.13	5.13	5.12	-	
Amps	10.7	10.7	10.7	-	12.3	12.3	12.2	-	14.0	14.0	14.0	-	15.9	15.9	15.9	-	18.0	18.0	18.0	-	20.5	20.5	20.4	-	
Hi PR	259	260	262	-	299	300	302	-	342	343	345	-	387	388	390	-	436	438	439	-	489	490	492	-	
Lo PR	122	124	127	-	129	131	134	-	136	137	140	-	141	143	146	-	147	148	151	-	153	155	158	-	
MbH	46.9	47.6	49.0	-	46.5	47.2	48.5	-	45.3	46.0	47.3	-	43.3	43.9	45.3	-	40.8	41.4	42.8	-	38.5	39.1	40.5	-	
S/T	0.70	0.63	0.49	-	0.71	0.63	0.49	-	0.73	0.66	0.52	-	0.75	0.68	0.54	-	1.00	0.70	0.56	-	1.00	0.75	0.61	-	
ΔT	19	17	14	-	19	17	13	-	19	17	14	-	19	17	13	-	19	17	13	-	20	18	14	-	
kW	3.01	3.00	3.00	-	3.35	3.35	3.34	-	3.73	3.73	3.72	-	4.14	4.14	4.13	-	4.60	4.60	4.59	-	5.14	5.14	5.14	-	
Amps	10.8	10.7	10.7	-	12.3	12.3	12.3	-	14.1	14.1	14.0	-	16.0	15.9	15.9	-	18.1	18.1	18.0	-	20.5	20.5	20.5	-	
Hi PR	260	261	263	-	301	302	304	-	343	344	346	-	389	390	392	-	438	439	441	-	491	492	494	-	
Lo PR	124	125	128	-	131	132	135	-	137	139	142	-	143	144	147	-	148	150	153	-	155	156	159	-	
75	MbH	45.7	46.4	47.7	49.8	45.3	46.0	47.3	49.4	44.1	44.8	46.1	48.2	42.1	42.7	44.1	46.2	39.5	40.2	41.6	43.6	37.2	37.9	39.3	41.3
	S/T	0.73	0.65	0.52	0.4	0.74	0.66	0.52	0.4	1.00	0.68	0.55	0.4	1.00	0.70	0.57	0.4	1.00	0.73	0.59	0.4	1.00	0.78	0.64	0.5
	ΔT	26	24	20	16	26	24	20	16	26	24	20	16	26	24	20	16	25	23	20	16	27	25	21	17
	kW	2.97	2.97	2.96	3.0	3.31	3.31	3.31	3.3	3.69	3.69	3.69	3.7	4.11	4.10	4.10	4.1	4.57	4.57	4.56	4.6	5.11	5.11	5.10	5.1
	Amps	10.6	10.6	10.6	10.7	12.2	12.1	12.1	12.2	13.9	13.9	13.9	14.0	15.8	15.8	15.8	15.9	17.9	17.9	17.9	18.0	20.4	20.4	20.3	20.5
	Hi PR	256	257	259	263.7	297	298	300	304.2	339	340	342	346.6	385	386	388	392.3	434	435	437	441.5	487	488	490	494.1
	Lo PR	120	122	125	129.7	127	129	132	137.1	134	135	138	143.5	139	141	144	148.9	145	146	149	154.2	151	153	156	160.9
	MbH	46.4	47.1	48.4	50.5	46.0	46.6	48.0	50.1	44.8	45.5	46.8	48.9	42.7	43.4	44.8	46.9	40.2	40.9	42.2	44.3	37.9	38.6	40.0	42.0
	S/T	0.80	0.73	0.59	0.4	0.81	0.73	0.60	0.5	1.00	0.76	0.62	0.5	1.00	0.78	0.64	0.5	1.00	0.80	0.66	0.5	1.00	1.00	0.72	0.6
	ΔT	24	22	19	15	24	22	19	15	24	22	19	15	24	22	19	15	24	22	18	15	25	23	20	16
kW	2.99	2.99	2.98	3.01	3.33	3.33	3.33	3.35	3.72	3.71	3.71	3.73	4.13	4.12	4.12	4.15	4.59	4.59	4.58	4.61	5.13	5.13	5.12	5.15	
Amps	10.7	10.7	10.7	10.8	12.3	12.2	12.2	12.3	14.0	14.0	14.0	14.1	15.9	15.9	16.0	16.0	18.0	18.0	18.0	18.1	20.5	20.5	20.4	20.6	
Hi PR	259	260	262	266.3	299	301	302	306.8	342	343	345	349.2	387	389	390	394.9	437	438	440	444.1	489	490	492	496.6	
Lo PR	122	124	127	131.8	129	131	134	139.1	136	137	140	145.5	141	146	151.0	154.1	147	148	151	156.3	153	155	158	162.9	
MbH	47.0	47.6	49.0	51.1	46.6	47.2	48.6	50.7	45.4	46.0	47.4	49.5	43.3	43.9	45.3	47.4	40.8	41.4	42.8	44.9	38.5	39.1	40.5	42.6	
S/T	0.83	0.76	0.62	0.5	0.84	0.76	0.63	0.5	1.00	0.79	0.65	0.5	1.00	0.81	0.67	0.5	1.00	0.83	0.69	0.5	1.00	1.00	0.74	0.6	
ΔT	23	21	18	14	23	21	18	14	24	22	18	14	23	21	18	14	23	21	17	14	24	22	19	15	
kW	3.01	3.00	3.00	3.0	3.35	3.34	3.34	3.4	3.73	3.73	3.72	3.7	4.14	4.14	4.13	4.2	4.60	4.60	4.59	4.6	5.14	5.14	5.13	5.2	
Amps	10.7	10.7	10.7	10.8	12.3	12.3	12.3	12.4	14.1	14.0	14.0	14.1	15.9	15.9	15.9	16.0	18.1	18.0	18.0	18.1	20.5	20.5	20.5	20.6	
Hi PR	261	262	263	268.0	301	302	304	308.4	343	345	346	350.9	389	390	392	396.5	438	439	441	445.7	491	492	494	498.3	
Lo PR	124	125	128	133.3	131	132	136	140.6	137	139	142	147.0	143	144	147	152.5	148	150	153	157.8	155	156	159	164.4	

IDB: Entering Indoor Dry Bulb Temperature
 High and low pressures are measured at the liquid and suction service valves.
 Shaded area reflects ACCA (TVA) conditions
 kW = Total system power
 Amps = outdoor unit amps (comp.+fan)

IDB	AIRFLOW	OUTDOOR AMBIENT TEMPERATURE												105												115											
		65				75				85				95				105				115															
		59	63	67	71	59	63	67	71	59	63	67	71	59	63	67	71	59	63	67	71	59	63	67	71												
80	MbH	46.0	46.6	48.0	50.1	45.5	46.2	47.6	49.6	44.3	45.0	46.4	48.5	42.3	42.9	44.3	46.4	39.8	40.4	41.8	43.9	37.5	38.1	39.5	41.6												
	S/T	0.86	0.78	0.64	0.5	1.00	0.79	0.65	0.5	1.00	0.81	0.67	0.5	1.00	0.83	0.69	0.5	1.00	1.00	0.72	0.6	1.00	1.00	0.77	0.6												
	ΔT	30	28	24	21	30	28	24	21	30	28	25	21	30	28	24	20	30	28	24	20	31	29	25	21												
	kW	2.97	2.97	2.97	3.0	3.32	3.31	3.31	3.3	3.70	3.69	3.69	3.7	4.11	4.11	4.10	4.1	4.57	4.57	4.56	4.6	5.11	5.11	5.10	5.1												
	Amps	10.6	10.6	10.6	10.7	12.2	12.2	12.1	12.3	13.9	13.9	13.9	14.0	15.8	15.8	15.8	15.9	17.9	17.9	17.9	18.0	20.4	20.4	20.4	20.5												
	Hi PR	257	258	260	264.2	297	298	300	304.7	340	341	343	347.1	385	386	388	392.8	435	436	438	442.0	487	488	490	494.5												
	Lo PR	121	122	125	130.3	128	129	132	137.6	134	136	139	144.0	140	141	144	149.4	145	147	150	154.7	152	153	156	161.4												
	MbH	46.6	47.3	48.7	50.8	46.2	46.9	48.3	50.3	45.0	45.7	47.1	49.1	43.0	43.6	45.0	47.1	40.5	41.1	42.5	44.6	38.2	38.8	40.2	42.3												
	S/T	1.00	0.85	0.72	0.6	1.00	0.86	0.72	0.6	1.00	0.89	0.75	0.6	1.00	0.91	0.77	0.6	1.00	1.00	0.79	0.6	1.00	1.00	0.84	0.7												
	ΔT	29	27	23	19	28	27	23	19	29	27	23	19	28	27	23	19	28	26	23	19	29	27	24	20												
kW	3.00	2.99	2.99	3.01	3.34	3.33	3.33	3.35	3.72	3.72	3.71	3.74	4.13	4.13	4.12	4.15	4.59	4.59	4.58	4.61	5.13	5.13	5.12	5.15													
Amps	10.7	10.7	10.7	10.8	12.3	12.3	12.2	12.3	14.0	14.0	14.0	14.1	15.9	15.9	15.9	16.0	18.0	18.0	18.0	18.1	20.5	20.5	20.4	20.6													
Hi PR	259	261	262	266.8	300	301	303	307.3	342	343	345	349.7	388	389	391	395.3	437	438	440	444.6	490	491	493	497.1													
Lo PR	123	124	127	132.3	130	131	135	139.7	136	138	141	146.1	142	143	146	151.5	147	149	152	156.8	154	155	158	163.5													
MbH	47.2	47.8	49.2	51.3	46.8	47.4	48.8	50.9	45.6	46.2	47.6	49.7	43.5	44.2	45.6	47.6	41.0	41.7	43.0	45.1	38.7	39.4	40.7	42.8													
S/T	1.00	0.88	0.75	0.6	1.00	0.89	0.75	0.6	1.00	0.91	0.78	0.6	1.00	0.93	0.80	0.7	1.00	1.00	0.82	0.7	1.00	1.00	0.87	0.7													
ΔT	28	26	22	18	28	26	22	18	28	26	22	19	28	26	22	18	27	25	22	18	29	27	23	19													
kW	3.01	3.00	3.00	3.0	3.35	3.35	3.34	3.4	3.73	3.73	3.72	3.7	4.14	4.14	4.13	4.2	4.60	4.60	4.59	4.6	5.14	5.14	5.14	5.2													
Amps	10.8	10.7	10.7	10.8	12.3	12.3	12.3	12.4	14.1	14.1	14.0	14.1	16.0	15.9	15.9	16.0	18.1	18.1	18.0	18.1	20.5	20.5	20.5	20.6													
Hi PR	261	262	264	268.4	302	303	304	308.9	344	345	347	351.3	390	391	393	397.0	439	440	442	446.2	491	492	494	498.8													
Lo PR	124	126	129	133.8	131	133	136	141.2	138	139	142	147.6	143	145	148	153.0	149	150	153	158.3	155	157	160	165.0													
MbH	46.7	47.4	48.7	50.8	46.3	47.0	48.3	50.4	45.1	45.8	47.1	49.2	43.1	43.7	45.1	47.2	40.5	41.2	42.6	44.7	38.3	38.9	40.3	42.4													
S/T	1.00	0.88	0.75	0.6	1.00	0.89	0.75	0.6	1.00	0.91	0.78	0.6	1.00	0.93	0.80	0.7	1.00	1.00	0.82	0.7	1.00	1.00	0.87	0.7													
ΔT	34	32	28	24	34	32	28	24	34	32	28	25	34	32	28	24	33	31	28	24	35	33	29	25													
kW	2.98	2.98	2.97	3.0	3.32	3.32	3.31	3.3	3.70	3.70	3.69	3.7	4.12	4.11	4.11	4.1	4.58	4.57	4.57	4.6	5.12	5.11	5.11	5.1													
Amps	10.6	10.6	10.6	10.7	12.2	12.2	12.2	12.3	13.9	13.9	13.9	14.0	15.8	15.8	15.8	15.9	17.9	17.9	17.9	18.0	20.4	20.4	20.4	20.5													
Hi PR	258	259	261	265.4	299	300	301	305.9	341	342	344	348.3	387	388	390	394.0	436	437	439	443.2	488	489	491	495.7													
Lo PR	122	124	127	132.1	130	131	134	139.4	136	138	141	145.8	142	143	146	151.2	147	148	151	156.5	154	155	158	163.2													
MbH	47.4	48.1	49.4	51.5	47.0	47.7	49.0	51.1	45.8	46.5	47.8	49.9	43.8	44.4	45.8	47.9	41.2	41.9	43.3	45.3	38.9	39.6	41.0	43.1													
S/T	1.00	0.96	0.82	0.7	1.00	0.96	0.83	0.7	1.00	0.98	0.85	0.7	1.00	1.00	0.87	0.7	1.00	1.00	0.89	0.7	1.00	1.00	1.00	0.8													
ΔT	32	30	27	23	32	30	27	23	33	31	27	23	32	30	27	23	32	30	26	23	33	31	28	24													
kW	3.00	3.00	2.99	3.02	3.34	3.34	3.33	3.36	3.72	3.72	3.72	3.74	4.14	4.13	4.13	4.15	4.60	4.59	4.59	4.62	5.14	5.14	5.13	5.16													
Amps	10.7	10.7	10.7	10.8	12.3	12.3	12.3	12.4	14.0	14.0	14.0	14.1	15.9	15.9	15.9	16.0	18.0	18.0	18.0	18.1	20.5	20.5	20.5	20.6													
Hi PR	261	262	264	268.0	301	302	304	308.5	343	345	346	350.9	389	390	392	396.5	438	440	441	445.8	491	492	494	498.3													
Lo PR	124	126	129	134.1	132	133	136	141.5	138	140	143	147.9	144	145	148	153.3	149	150	153	158.6	156	157	160	165.3													
MbH	48.0	48.6	50.0	52.1	47.6	48.2	49.6	51.7	46.4	47.0	48.4	50.5	44.3	45.0	46.3	48.4	41.8	42.4	43.8	45.9	39.5	40.1	41.5	43.6													
S/T	1.00	0.99	0.85	0.7	1.00	0.99	0.85	0.7	1.00	1.00	0.88	0.7	1.00	1.00	0.90	0.8	1.00	1.00	0.92	0.8	1.00	1.00	1.00	0.8													
ΔT	32	30	26	22	32	30	26	22	32	30	26	22	32	30	26	22	31	29	26	22	32	31	27	23													
kW	3.01	3.01	3.00	3.0	3.35	3.35	3.35	3.4	3.74	3.73	3.73	3.8	4.15	4.15	4.14	4.2	4.61	4.61	4.60	4.6	5.15	5.15	5.14	5.2													
Amps	10.8	10.8	10.7	10.9	12.4	12.3	12.3	12.4	14.1	14.1	14.1	14.2	16.0	16.0	15.9	16.1	18.1	18.1	18.1	18.2	20.6	20.6	20.5	20.6													
Hi PR	262	263	265	269.6	303	304	306	310.1	345	346	348	352.5	391	392	394	398.2	440	441	443	447.4	493	494	495	500.0													
Lo PR	126	127	131	135.6	133	135	138	143.0	140	141	144	149.4	145	147	150	154.8	150	152	155	160.1	157	159	162	166.8													

IDB: Entering Indoor Dry Bulb Temperature
 High and low pressures are measured at the liquid and suction service valves.
 Shaded area reflects AHRI conditions
 kW = Total system power
 Amps = outdoor unit amps (comp. + fan)

IDB		OUTDOOR AMBIENT TEMPERATURE												ENTERING INDOOR WET BULB TEMPERATURE															
		65				75				85				95				105				115							
		59	63	67	71	59	63	67	71	59	63	67	71	59	63	67	71	59	63	67	71	59	63	67	71				
70	AIRFLOW	59	63	67	71	59	63	67	71	59	63	67	71	59	63	67	71	59	63	67	71	59	63	67	71	59	63	67	71
	MBh	56.7	57.5	59.2	-	56.2	57.0	58.7	-	54.7	55.5	57.2	-	52.2	53.0	54.7	-	49.1	49.9	51.6	-	46.3	47.1	48.8	-				
	S/T	0.61	0.54	0.42	-	0.62	0.55	0.42	-	0.64	0.57	0.45	-	0.66	0.59	0.47	-	1.00	0.61	0.49	-	1.00	0.66	0.53	-				
	ΔT	21	19	15	-	21	19	15	-	21	19	16	-	21	19	15	-	21	19	15	-	22	20	16	-				
	kW	3.54	3.53	3.53	-	3.96	3.96	3.95	-	4.44	4.44	4.43	-	4.96	4.96	4.95	-	5.54	5.54	5.53	-	6.22	6.21	6.21	-				
	Amps	13.1	13.1	13.1	-	15.1	15.1	15.0	-	17.3	17.2	17.2	-	19.6	19.6	19.6	-	22.3	22.3	22.2	-	25.4	25.4	25.3	-				
	Hi PR	256	257	259	-	296	297	299	-	338	339	341	-	383	384	386	-	432	433	434	-	483	485	486	-				
	Lo PR	122	124	127	-	130	131	134	-	136	137	141	-	141	143	146	-	147	148	151	-	153	155	158	-				
	MBh	57.8	58.5	60.2	-	57.3	58.0	59.7	-	55.8	56.6	58.3	-	53.3	54.1	55.7	-	50.2	51.0	52.7	-	47.4	48.2	49.9	-				
	S/T	0.65	0.58	0.45	-	0.65	0.58	0.46	-	0.68	0.61	0.48	-	1.00	0.63	0.50	-	1.00	0.65	0.52	-	1.00	0.69	0.57	-				
ΔT	20	18	14	-	20	18	14	-	20	18	14	-	20	18	14	-	20	18	14	-	21	19	15	-					
kW	3.56	3.55	3.55	-	3.99	3.98	3.98	-	4.46	4.46	4.45	-	4.98	4.98	4.97	-	5.56	5.56	5.55	-	6.24	6.24	6.23	-					
Amps	13.2	13.2	13.2	-	15.2	15.2	15.1	-	17.4	17.3	17.3	-	19.7	19.7	19.7	-	22.4	22.4	22.3	-	25.5	25.5	25.4	-					
Hi PR	258	259	261	-	298	299	301	-	340	341	343	-	385	386	388	-	434	435	437	-	486	487	489	-					
Lo PR	128	129	132	-	132	133	136	-	138	140	143	-	144	145	148	-	149	151	154	-	156	157	160	-					
MBh	59.2	60.0	61.7	-	58.7	59.5	61.2	-	57.3	58.1	59.7	-	54.8	55.5	57.2	-	51.7	52.5	54.1	-	48.9	49.7	51.3	-					
S/T	0.65	0.58	0.46	-	0.66	0.59	0.46	-	0.68	0.61	0.49	-	1.00	0.63	0.51	-	1.00	0.65	0.53	-	1.00	0.70	0.57	-					
ΔT	19	17	13	-	19	17	13	-	19	17	13	-	19	17	13	-	18	16	12	-	20	18	14	-					
kW	3.58	3.58	3.57	-	4.01	4.00	4.00	-	4.49	4.48	4.47	-	5.00	5.00	4.99	-	5.58	5.58	5.57	-	6.26	6.26	6.25	-					
Amps	13.3	13.3	13.3	-	15.3	15.2	15.2	-	17.5	17.4	17.4	-	19.8	19.8	19.8	-	22.5	22.5	22.4	-	25.6	25.6	25.5	-					
Hi PR	261	262	264	-	301	302	304	-	343	344	346	-	388	389	391	-	437	438	440	-	489	490	492	-					
Lo PR	128	129	132	-	135	136	140	-	141	143	146	-	147	148	151	-	152	154	157	-	159	160	163	-					
75	MBh	56.7	57.5	59.2	61.7	56.2	57.0	58.7	61.2	54.8	55.6	57.2	59.8	52.2	53.0	54.7	57.3	49.2	50.0	51.6	54.2	46.4	47.2	48.8	51.4				
	S/T	0.73	0.66	0.54	0.4	0.74	0.67	0.54	0.4	1.00	0.69	0.57	0.4	1.00	0.71	0.58	0.5	1.00	0.73	0.60	0.5	1.00	1.00	0.65	0.5				
	ΔT	26	24	20	16	26	24	20	16	26	24	20	16	26	24	20	16	25	23	19	15	27	25	21	17				
	kW	3.53	3.53	3.52	3.6	3.96	3.96	3.95	4.0	4.44	4.44	4.43	4.5	4.96	4.95	4.95	5.0	5.54	5.53	5.53	5.6	6.21	6.21	6.20	6.2				
	Amps	13.1	13.1	13.0	13.2	15.1	15.0	15.0	15.2	17.2	17.2	17.2	17.3	19.6	19.6	19.6	19.7	22.3	22.2	22.2	22.4	25.4	25.3	25.3	25.5				
	Hi PR	256	257	259	263.3	296	297	299	303.3	338	339	341	345.2	383	384	386	390.4	432	433	435	439.1	484	485	487	491.0				
	Lo PR	122	124	127	132.0	130	131	134	139.3	136	138	141	145.7	141	143	146	151.1	147	148	151	156.5	153	155	158	163.1				
	MBh	57.8	58.6	60.2	62.8	57.3	58.1	59.7	62.3	55.8	56.6	58.3	60.8	53.3	54.1	55.8	58.3	50.2	51.0	52.7	55.3	47.4	48.2	49.9	52.4				
	S/T	0.77	0.70	0.57	0.4	0.77	0.70	0.58	0.4	1.00	0.73	0.60	0.5	1.00	0.74	0.62	0.5	1.00	0.76	0.64	0.5	1.00	1.00	0.69	0.6				
	ΔT	25	22	19	15	25	22	19	15	25	23	19	15	24	22	19	15	24	22	18	14	26	23	20	16				
kW	3.56	3.55	3.54	3.58	3.98	3.98	3.97	4.01	4.46	4.46	4.45	4.48	4.98	4.98	4.97	5.00	5.56	5.55	5.55	5.58	6.24	6.23	6.23	6.26					
Amps	13.2	13.2	13.1	13.3	15.2	15.1	15.1	15.3	17.3	17.3	17.3	17.4	19.7	19.7	19.7	19.8	22.4	22.3	22.3	22.5	25.5	25.4	25.4	25.6					
Hi PR	258	260	261	265.8	298	300	301	305.8	340	341	343	347.7	386	387	388	392.8	434	435	437	441.5	486	487	489	493.5					
Lo PR	125	126	129	134.3	132	133	137	141.6	138	140	143	148.1	144	145	148	153.5	149	151	154	158.8	156	157	160	165.5					
MBh	59.3	60.1	61.7	64.3	58.8	59.6	61.2	63.8	57.3	58.1	59.8	62.3	54.8	55.6	57.2	59.8	51.7	52.5	54.2	56.7	48.9	49.7	51.4	53.9					
S/T	0.77	0.70	0.58	0.4	1.00	0.71	0.58	0.5	1.00	0.73	0.61	0.5	1.00	0.75	0.62	0.5	1.00	0.77	0.64	0.5	1.00	1.00	0.69	0.6					
ΔT	23	21	17	13	23	21	17	13	24	22	18	14	23	21	17	13	23	21	17	13	24	22	18	14					
kW	3.58	3.57	3.57	3.6	4.00	4.00	3.99	4.0	4.48	4.48	4.47	4.5	5.00	5.00	4.99	5.0	5.58	5.58	5.57	5.6	6.26	6.25	6.25	6.3					
Amps	13.3	13.3	13.2	13.4	15.2	15.2	15.2	15.4	17.4	17.4	17.4	17.5	19.8	19.8	19.8	19.9	22.5	22.4	22.4	22.6	25.6	25.5	25.5	25.7					
Hi PR	261	262	264	268.6	301	302	304	308.6	343	344	346	350.6	388	390	391	395.7	437	438	440	444.4	489	490	492	496.3					
Lo PR	128	129	132	137.4	135	137	140	144.7	141	143	146	151.1	147	148	151	156.6	152	154	157	161.9	159	160	163	168.6					

IDB: Entering Indoor Dry Bulb Temperature
 High and low pressures are measured at the liquid and suction service valves.
 Shaded area reflects ACCA (TVA) conditions
 kW = Total system power
 Amps = outdoor unit amps (comp.+fan)

IDB		OUTDOOR AMBIENT TEMPERATURE																							
		65				75				85				95				105				115			
		AIRFLOW	59	63	67	71	59	63	67	71	59	63	67	71	59	63	67	71	59	63	67	71	59	63	67
80	MBh	57.0	57.8	59.5	62.0	56.5	57.3	59.0	61.5	55.1	55.8	57.5	60.1	52.5	53.3	55.0	57.6	49.5	50.3	51.9	54.5	46.7	47.5	49.1	51.7
	S/T	1.00	0.78	0.65	0.5	1.00	0.78	0.66	0.5	1.00	0.81	0.68	0.6	1.00	0.83	0.70	0.6	1.00	1.00	0.72	0.6	1.00	1.00	0.77	0.6
	ΔT	30	28	24	20	30	28	24	20	31	29	25	21	30	28	24	20	30	28	24	20	31	29	25	21
	kW	3.54	3.53	3.52	3.6	3.96	3.96	3.95	4.0	4.44	4.44	4.43	4.5	4.96	4.96	4.95	5.0	5.54	5.54	5.53	5.6	6.22	6.21	6.21	6.2
	Amps	13.1	13.1	13.1	13.2	15.1	15.0	15.0	15.2	17.3	17.2	17.2	17.4	19.6	19.6	19.6	19.7	22.3	22.3	22.2	22.4	25.4	25.4	25.4	25.3
	Hi PR	256	258	259	263.8	296	298	299	303.8	338	339	341	345.7	384	385	386	390.8	432	433	435	439.5	484	485	487	491.5
	Lo PR	125	124	127	132.5	130	132	135	139.8	137	138	141	146.2	142	143	147	151.7	147	149	152	157.0	154	155	159	163.7
	MBh	58.1	58.9	60.5	63.1	57.6	58.4	60.0	62.6	56.1	56.9	58.6	61.1	53.6	54.4	56.1	58.6	50.5	51.3	53.0	55.5	47.7	48.5	50.2	52.7
	S/T	1.00	0.81	0.69	0.6	1.00	0.82	0.69	0.6	1.00	0.84	0.72	0.6	1.00	1.00	0.73	0.6	1.00	1.00	0.76	0.6	1.00	1.00	0.80	0.7
	ΔT	29	27	23	19	29	27	23	19	29	27	23	19	29	27	23	19	29	27	23	19	30	28	24	20
kW	3.56	3.55	3.55	3.58	3.99	3.98	3.98	4.01	4.46	4.46	4.45	4.49	4.98	4.98	4.97	5.00	5.56	5.56	5.55	5.58	6.24	6.24	6.23	6.26	
Amps	13.2	13.2	13.2	13.3	15.2	15.1	15.1	15.3	17.4	17.3	17.3	17.5	19.7	19.7	19.7	19.8	22.4	22.4	22.3	22.5	25.5	25.5	25.4	25.6	
Hi PR	259	260	262	266.2	299	300	302	306.2	341	342	344	348.2	386	387	389	393.3	435	436	438	442.0	487	488	490	493.9	
Lo PR	125	127	130	134.8	132	134	137	142.2	139	140	143	148.6	144	146	149	154.0	150	151	154	159.3	156	158	161	166.0	
MBh	59.6	60.3	62.0	64.6	59.1	59.8	61.5	64.1	57.6	58.4	60.1	62.6	55.1	55.9	57.5	60.1	52.0	52.8	54.5	57.0	49.2	50.0	51.7	54.2	
S/T	1.00	0.82	0.69	0.6	1.00	0.82	0.70	0.6	1.00	0.85	0.72	0.6	1.00	1.00	0.74	0.6	1.00	1.00	0.76	0.6	1.00	1.00	0.81	0.7	
ΔT	28	26	22	18	28	26	22	18	28	26	22	18	28	26	22	18	28	26	22	18	29	27	23	19	
kW	3.58	3.57	3.57	3.6	4.01	4.00	4.00	4.0	4.49	4.48	4.47	4.5	5.00	5.00	4.99	5.0	5.58	5.58	5.57	5.6	6.26	6.26	6.25	6.3	
Amps	13.3	13.3	13.2	13.4	15.3	15.2	15.2	15.4	17.4	17.4	17.4	17.5	19.8	19.8	19.8	19.9	22.5	22.4	22.4	22.6	25.6	25.6	25.5	25.7	
Hi PR	262	263	265	269.1	302	303	305	309.1	344	345	347	351.0	389	390	392	396.2	438	439	440	444.9	489	491	492	496.8	
Lo PR	128	130	133	137.9	136	137	140	145.2	142	143	147	151.7	147	149	152	157.1	153	154	157	162.4	159	161	164	169.1	

IDB		OUTDOOR AMBIENT TEMPERATURE																							
		65				75				85				95				105				115			
		AIRFLOW	59	63	67	71	59	63	67	71	59	63	67	71	59	63	67	71	59	63	67	71	59	63	67
85	MBh	58.0	58.7	60.4	63.0	57.5	58.2	59.9	62.5	56.0	56.8	58.5	61.0	53.5	54.3	55.9	58.5	50.4	51.2	52.9	55.4	47.6	48.4	50.1	52.6
	S/T	1.00	0.87	0.75	0.6	1.00	0.88	0.75	0.6	1.00	1.00	0.78	0.6	1.00	1.00	0.79	0.7	1.00	1.00	0.81	0.7	1.00	1.00	1.00	0.7
	ΔT	34	32	29	24	34	32	28	24	35	33	29	25	34	32	28	24	34	32	28	24	35	33	29	25
	kW	3.54	3.54	3.53	3.6	3.97	3.97	3.96	4.0	4.45	4.45	4.44	4.5	4.97	4.96	4.96	5.0	5.55	5.54	5.54	5.6	6.23	6.22	6.21	6.2
	Amps	13.1	13.1	13.1	13.2	15.1	15.1	15.1	15.2	17.3	17.3	17.2	17.4	19.7	19.6	19.6	19.8	22.3	22.3	22.3	22.4	25.4	25.4	25.4	25.5
	Hi PR	258	259	261	264.9	298	299	301	305.0	340	341	342	346.9	385	386	388	392.0	433	435	436	440.7	485	486	488	492.7
	Lo PR	125	126	129	134.3	132	133	137	141.6	138	140	143	148.1	144	145	148	153.5	149	151	154	158.8	156	157	160	165.5
	MBh	59.0	59.8	61.5	64.0	58.5	59.3	61.0	63.5	57.1	57.8	59.5	62.1	54.5	55.3	57.0	59.6	51.5	52.3	53.9	56.5	48.7	49.5	51.1	53.7
	S/T	1.00	0.91	0.78	0.6	1.00	1.00	0.79	0.7	1.00	1.00	0.81	0.7	1.00	1.00	0.83	0.7	1.00	1.00	0.85	0.7	1.00	1.00	1.00	0.8
	ΔT	33	31	27	23	33	31	27	23	33	31	28	24	33	31	27	23	33	31	27	23	34	32	28	24
kW	3.57	3.56	3.55	3.59	3.99	3.99	3.98	4.02	4.47	4.47	4.46	4.49	4.99	4.99	4.98	5.01	5.57	5.56	5.56	5.59	6.25	6.24	6.24	6.27	
Amps	13.2	13.2	13.2	13.3	15.2	15.2	15.2	15.3	17.4	17.4	17.3	17.5	19.8	19.7	19.7	19.9	22.4	22.4	22.4	22.5	25.5	25.5	25.5	25.6	
Hi PR	260	261	263	267.4	300	301	303	307.4	342	343	345	349.4	387	388	390	394.5	436	437	439	443.2	488	489	491	495.1	
Lo PR	127	128	132	136.6	134	136	139	144.0	141	142	145	150.4	146	148	151	155.8	151	153	156	161.2	158	160	163	167.8	
MBh	60.5	61.3	63.0	65.5	60.0	60.8	62.5	65.0	58.5	59.3	61.0	63.5	56.0	56.8	58.5	61.0	52.9	53.7	55.4	58.0	50.1	50.9	52.6	55.2	
S/T	1.00	0.91	0.79	0.7	1.00	1.00	0.79	0.7	1.00	1.00	0.82	0.7	1.00	1.00	0.83	0.7	1.00	1.00	1.00	0.7	1.00	1.00	1.00	0.8	
ΔT	32	30	26	22	32	30	26	22	32	30	26	22	32	30	26	22	32	30	26	22	33	31	27	23	
kW	3.59	3.58	3.58	3.6	4.02	4.01	4.00	4.0	4.49	4.49	4.48	4.5	5.01	5.01	5.00	5.0	5.59	5.59	5.58	5.6	6.27	6.26	6.26	6.3	
Amps	13.3	13.3	13.3	13.4	15.3	15.3	15.2	15.4	17.5	17.5	17.4	17.6	19.9	19.8	19.8	19.8	22.5	22.5	22.5	22.6	25.6	25.6	25.6	25.7	
Hi PR	263	264	266	270.3	303	304	306	310.3	345	346	348	352.2	390	391	393	397.4	439	440	442	446.0	491	492	494	498.0	
Lo PR	130	132	135	139.7	137	139	142	147.1	144	145	148	153.5	149	151	154	158.9	155	156	159	164.2	161	163	166	170.9	

IDB: Entering Indoor Dry Bulb Temperature
 High and low pressures are measured at the liquid and suction service valves.
 Shaded area reflects AHRI conditions
 kW = Total system power
 Amps = outdoor unit amps (comp. + fan)

PERFORMANCE DATA

DX3SQN1810A*/CA*FA2422*6A*				
CONDITIONS: 80 °F IBD, 67 °F IWB @ 520 CFM				
OUTDOOR TEM. ° F.	TOTAL BTU/H	SENSIBLE BTU/H	LATENT BTU/H	TOTAL WATTS
75	18,250	12,300	5,950	1,240
80	18,050	12,150	5,900	1,310
85	17,800	12,000	5,800	1,380
90	17,400	11,750	5,650	1,460
95	17,000	11,450	5,550	1,530
100	16,550	11,150	5,400	1,620
105	16,050	10,850	5,200	1,700
110	15,650	10,550	5,100	1,800
115	15,200	10,250	4,950	1,890
TVA CONDITIONS @ 95° OD DB, 75° ID DB 63° ID WB				
95°	16,400	11,500	4,900	1,530

DX3SQN2410A*/CA*TA2422*4A*				
CONDITIONS: 80 °F IBD, 67 °F IWB @ 800 CFM				
OUTDOOR TEM. ° F.	TOTAL BTU/H	SENSIBLE BTU/H	LATENT BTU/H	TOTAL WATTS
75	24,250	16,550	7,700	1,660
80	23,950	16,350	7,600	1,750
85	23,650	16,100	7,550	1,840
90	23,150	15,750	7,400	1,940
95	22,600	15,400	7,200	2,030
100	22,000	15,000	7,000	2,140
105	21,350	14,550	6,800	2,250
110	20,800	14,150	6,650	2,380
115	20,200	13,750	6,450	2,510
TVA CONDITIONS @ 95° OD DB, 75° ID DB 63° ID WB				
95°	21,800	15,450	6,350	2,030

DX3SQN3010A*/CA*FA3626*6A*				
CONDITIONS: 80 °F IBD, 67 °F IWB @ 1105 CFM				
OUTDOOR TEM. ° F.	TOTAL BTU/H	SENSIBLE BTU/H	LATENT BTU/H	TOTAL WATTS
75	30,450	22,000	8,450	2,110
80	29,950	21,000	8,950	2,230
85	29,400	20,000	9,400	2,340
90	28,900	20,250	8,650	2,470
95	28,400	20,500	7,900	2,600
100	27,600	19,950	7,650	2,750
105	26,800	19,350	7,450	2,890
110	26,100	18,850	7,250	3,060
115	25,350	18,300	7,050	3,220
TVA CONDITIONS @ 95° OD DB, 75° ID DB 63° ID WB				
95°	27,400	16,400	11,000	2,040

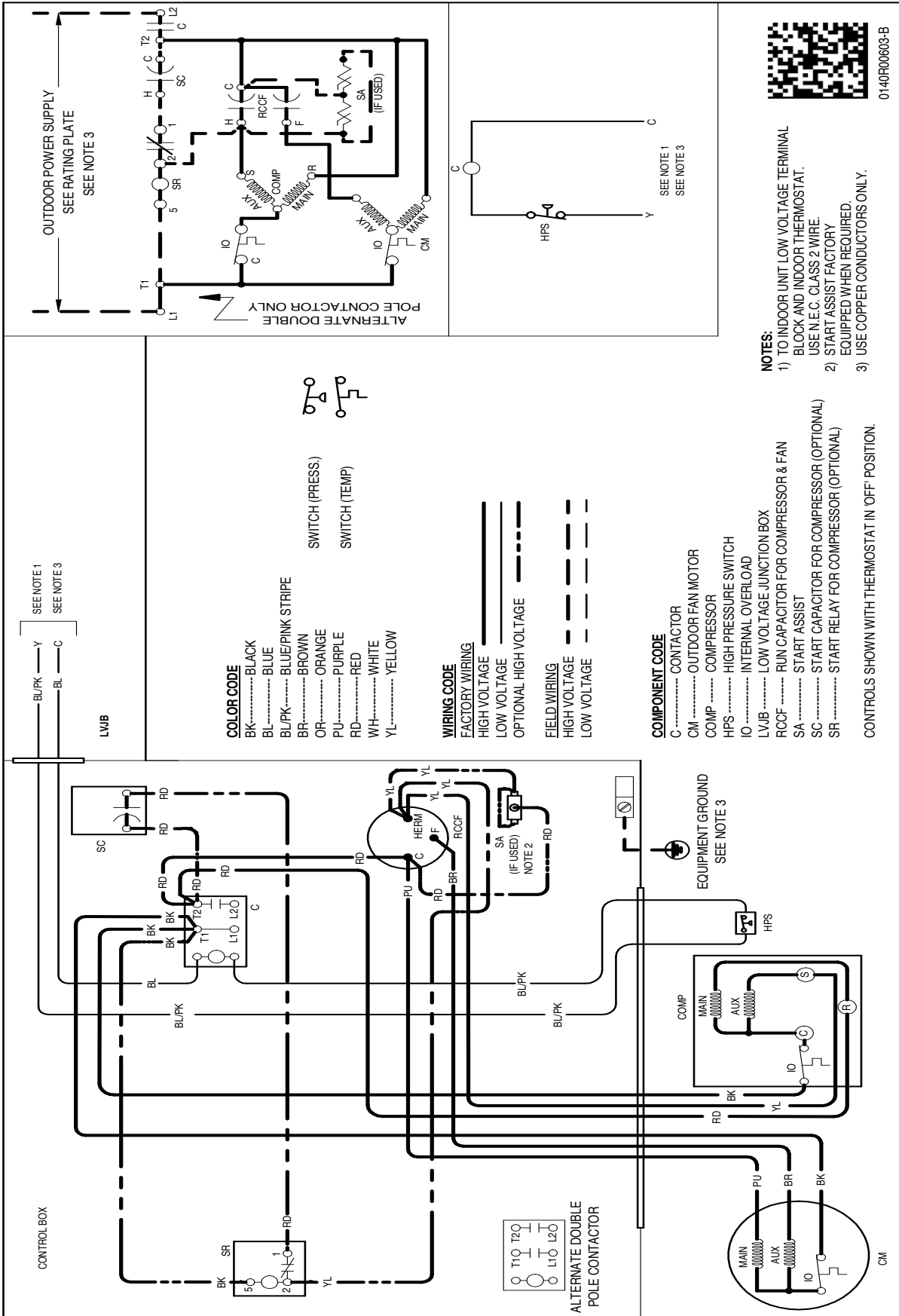
DX3SQN3610A*/CA*FA4226*6A*				
CONDITIONS: 80 °F IBD, 67 °F IWB @ 1270 CFM				
OUTDOOR TEM. ° F.	TOTAL BTU/H	SENSIBLE BTU/H	LATENT BTU/H	TOTAL WATTS
75	36,650	27,250	9,400	2,480
80	36,200	26,900	9,300	2,630
85	35,750	26,550	9,200	2,770
90	35,000	26,000	9,000	2,930
95	34,200	25,400	8,800	3,080
100	33,250	24,700	8,550	3,250
105	32,300	24,000	8,300	3,420
110	31,450	23,350	8,100	3,630
115	30,550	22,700	7,850	3,830
TVA Conditions @ 95° OD DB, 75° ID DB 63° ID WB				
95°	33,000	25,500	7,500	3,080

DX3SQN4210A*/CA*F4961*6A*				
CONDITIONS: 80 °F IBD, 67 °F IWB @ 1460 CFM				
OUTDOOR TEM. ° F.	TOTAL BTU/H	SENSIBLE BTU/H	LATENT BTU/H	TOTAL WATTS
75	42,350	30,950	11,400	2,860
80	41,850	30,600	11,250	3,030
85	41,300	30,200	11,100	3,190
90	40,400	29,550	10,850	3,370
95	39,500	28,850	10,650	3,550
100	38,400	28,050	10,350	3,760
105	37,300	27,250	10,050	3,960
110	36,300	26,500	9,800	4,200
115	35,300	25,750	9,550	4,430
TVA Conditions @ 95° OD DB, 75° ID DB 63° ID WB				
95°	38,100	28,950	9,150	3,560

DX3SQN4810A*/CA*F4961*6A*				
CONDITIONS: 80 °F IBD, 67 °F IWB @ 1640 CFM				
OUTDOOR TEM. ° F.	TOTAL BTU/H	SENSIBLE BTU/H	LATENT BTU/H	TOTAL WATTS
75	48,250	36,100	12,150	3,330
80	47,650	35,700	11,950	3,520
85	47,050	35,250	11,800	3,710
90	46,050	34,500	11,550	3,920
95	45,000	33,700	11,300	4,120
100	43,750	32,750	11,000	4,350
105	42,500	31,800	10,700	4,580
110	41,350	30,950	10,400	4,850
115	40,200	30,100	10,100	5,120
TVA Conditions @ 95° OD DB, 75° ID DB 63° ID WB				
95°	43,400	33,800	9,600	4,130

DX3SQN6010A*/CA*T4961*4A*				
CONDITIONS: 80 °F IBD, 67 °F IWB @ 1565 CFM				
OUTDOOR TEM. ° F.	TOTAL BTU/H	SENSIBLE BTU/H	LATENT BTU/H	TOTAL WATTS
75	57,900	39,500	18,400	4,130
80	57,200	39,050	18,150	4,390
85	56,450	38,550	17,900	4,640
90	55,250	37,700	17,550	4,910
95	54,000	36,850	17,150	5,180
100	52,500	35,850	16,650	5,490
105	51,000	34,800	16,200	5,800
110	49,650	33,850	15,800	6,160
115	48,250	32,900	15,350	6,510
TVA Conditions @ 95° OD DB, 75° ID DB 63° ID WB				
95°	52,050	36,950	15,100	5,190

***ALL AHRI SYSTEM RATINGS ARE ACCESSIBLE IN THE UNITARY MATCHUP TOOL VIA
DAIKIN CITY OR IN THE DAIKIN SYSTEM CONFIGURATOR TOOL VIA PARTNERLINK.***



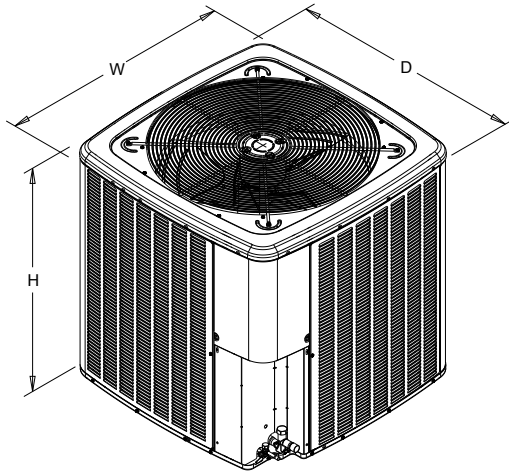
Wiring is subject to change. Always refer to the wiring diagram on the unit for the most up-to-date wiring.



WARNING

High Voltage: Disconnect all power before servicing or installing this unit. Multiple power sources may be present. Failure to do so may cause property damage, personal injury, or death.

DIMENSIONS



MODEL	DIMENSIONS		
	W"	D"	H"
DX3SQN1810A*	26	26	27
DX3SQN2410A*	26	26	32½
DX3SQN3010A*	29	29	32½
DX3SQN3610A*	29	29	32½
DX3SQN4210A*	29	29	39½
DX3SQN4810A*	35½	35½	35½
DX3SQN6010A*	35½	35½	39½

ACCESSORIES

MODEL	DESCRIPTION	DX3SQ N1810A*	DX3SQ N2410A*	DX3SQ N3010A*	DX3SQ N3610A*	DX3SQ N4210A*	DX3SQ N4810A*	DX3SQ N6010A*
ABK-20	Anchor Bracket Kit ^	X	X	X	X	X	X	X
ABK-21	Anchor Bracket Kit ^							
ASC-01	Anti-Short Cycle Kit	X	X	X	X	X	X	X
CSR-U-1	Hard-start Kit	X	X	X	X			
CSR-U-2	Hard-start Kit				X	X	X	X
CSR-U-3	Hard-start Kit						X	X
FSK01A ¹	Freeze Protection Kit	X	X	X	X	X	X	X
LSK02A ²	Liquid Line Solenoid Kit	X	X	X	X	X	X	X
LAKT01	Low-Ambient Kit	X	X	X	X	X	X	
0130R00000S	Low-Pressure Switch Kit	X	X	X	X	X	X	X
TXV-FX-KX-2T ²	TXV Kit	X	X					
TXV-FX-KX-3T ²	TXV Kit			X	X			
TXV-FX-KX-5T ²	TXV Kit					X	X	X

⁰ Contains 20 brackets; four brackets needed to anchor unit to pad

¹ Installed on indoor coil

² Condensing units and heat pumps with reciprocating or rotary compressors require the use of start-assist components when used in conjunction with an indoor coil using a non-bleed thermal expansion valve refrigerant metering device or liquid line solenoid kit. The TXV should always be sized based on the tonnage of the outdoor unit.

